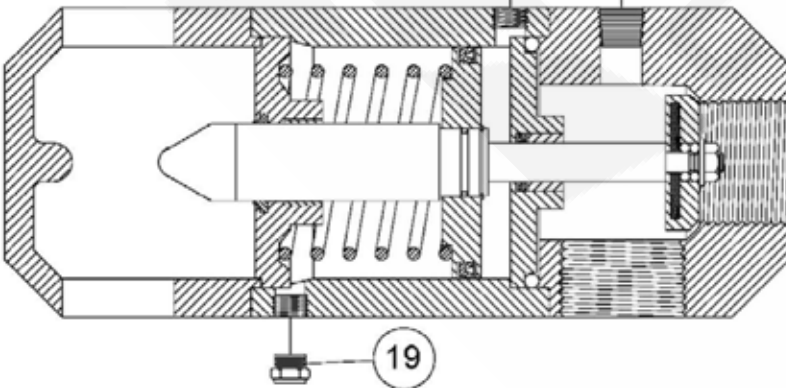
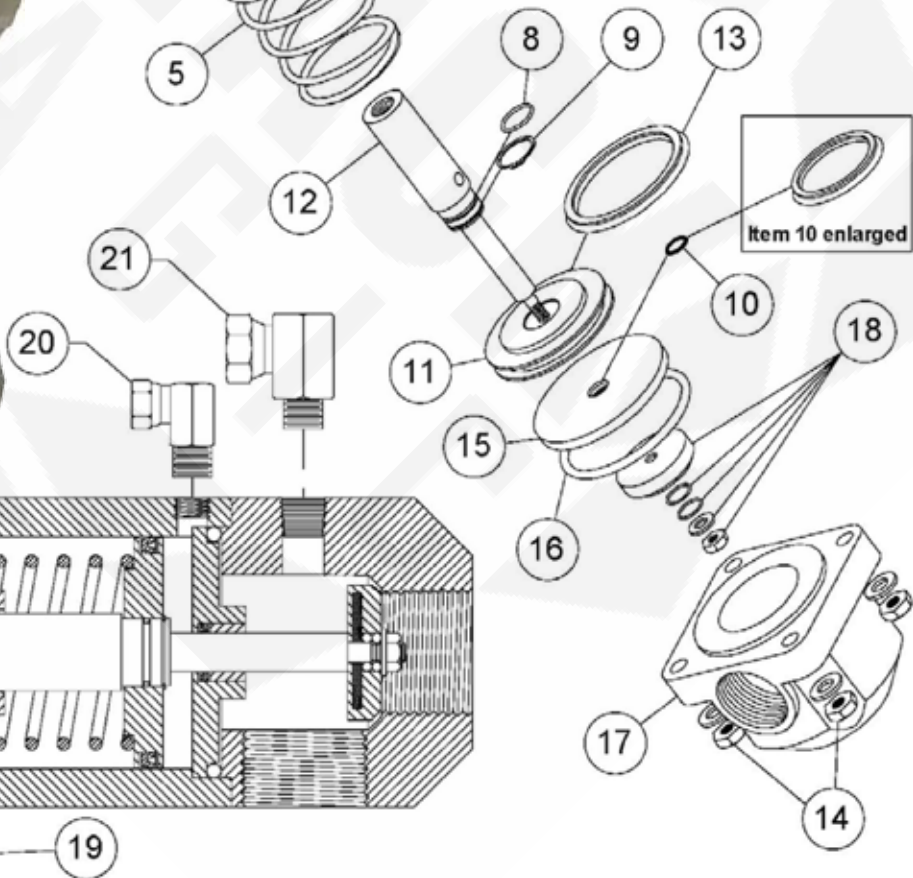
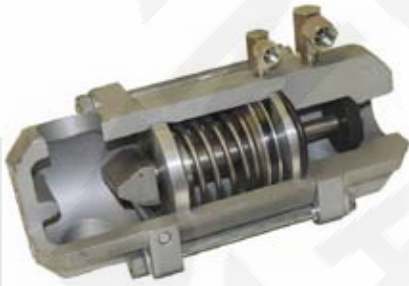
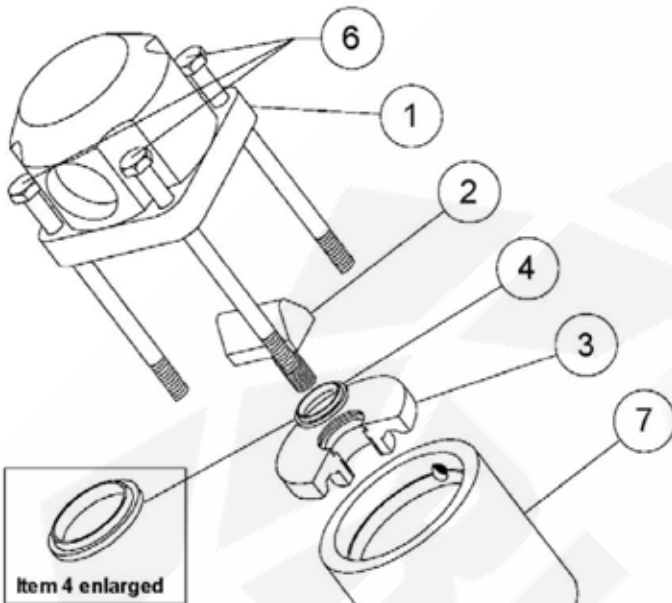


Air Inlet / Outlet - ComboValve

2223-000		Combovalve
No.	Part No.	Description
	2223-000-99	Replacement Part Kit
1.	2223-000-01	Cap
2.	2223-000-02	Pinch Ram
3.	2223-000-03	Upper Rod Guide
4.*	2223-000-04	Seal (Upper Rod)
5.	2223-000-05	Spring
6.	7010-507-15	Bolt, 3/8" x 6"
7.	2223-000-07	Cylinder
8.*	2223-000-08	O-ring (Shaft)
9.*	2223-000-09	Snap Ring
10.*	2223-000-10	Seal (Lower Rod)
11.	2223-000-11	Piston
12.	2223-000-12	Shaft
13.*	2223-000-13	Piston Seal
14.	7017-507-01	Nut, 3/8"
15.	2223-000-15	Lower Rod Guide
16.*	2223-000-16	O-ring (Lower Rod Guide)
17.	2223-000-17	Base
18.*+	2223-000-18	Valve Plug Assembly
19.	2014-300	Vent, 1/8"
20.	4203-500-00	90° Swivel, 1/8" x 1/8"
21.	4203-502-02	90° Swivel, 1/4" x 1/4"

* Included in replacement part kit
+ Includes plug, (2)o-rings, washer and nut



Schmidt
Valves

Automatic Air Valve - Normally Closed

2123-106 1" Valve		
No.	Part No.	Description
2123-006-99 Replacement Parts Kit		
1.*	2123-007-20	Gasket
2.*	2123-006-02	Diaphragm
3.*	2123-006-03	O-ring
4.	2123-006-04	Retainer Bushing
5.*	2123-007-05	O-ring
6.	2123-006-06	Disk Retainer
7.*	2123-006-07	O-ring
8.	2123-006-08	Seat
9.	2123-006-09	Disc Plate
10.	"Deleted"	Lock Washer, Internal
11.*	7082-504	Lock Nut
12.	2123-106-12	Cap
13.*	2123-006-13	Lock Nut
14.	7010-503-06	Cap Screw
15.	2123-006-15	Diaphragm Plate
17.	7082-503	Lock Nut
18.	2123-006-18	Body, 1"
19.	2123-006-19	Shaft
20.*	2123-007-20	Gasket
21.*	2123-006-21	Disc
22.*	2123-106-22	O-ring
23.	2123-106-23	Spring Retainer
24.	2123-106-24	Spring
25.	2014-300	Vent, 1/8"
26.*	2123-007-20	Gasket

* Included In Replacement Parts Kit

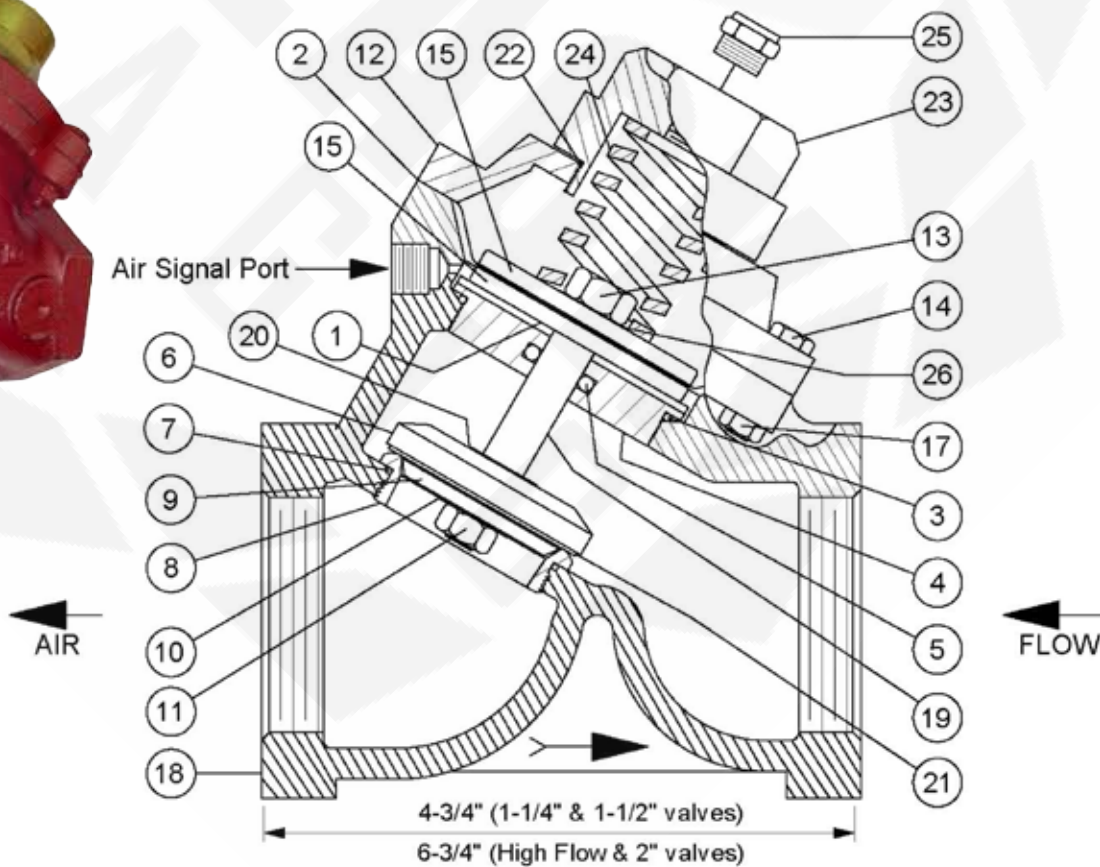
2123-107 1 1/4" Valve		
No.	Part No.	Description
2123-108 1 1/2" Valve		
2123-007-99 Replacement Parts Kit		
1.*	2123-009-01	Gasket
2.*	2123-007-02	Diaphragm
3.*	2123-007-03	O-ring
4.	2123-007-04	Retainer Bushing
5.*	2123-007-05	O-ring
6.	2123-007-06	Disk Retainer
7.*	2123-007-07	O-ring
8.	2123-007-08	Seat
9.	2123-007-09	Disc Plate
10.	"Deleted"	Lock Washer, Internal
11.*	7082-504	Lock Nut
12.	2123-107-12	Cap
13.*	7082-506	Lock Nut
14.	7010-503-07	Cap Screw
15.	2123-007-15	Diaphragm Plate
17.	7082-503	Lock Nut
18.	2123-007-18	Body, 1 1/4"
	2123-008-18	Body, 1 1/2"
19.	2123-007-19	Shaft
20.*	2123-007-20	Gasket
21.*	2123-007-21	Disc
22.*	2123-107-22	O-ring
23.	2123-107-23	Spring Retainer
24.	2123-107-24	Spring
25.	2014-300	Vent, 1/8"
26.*	2123-009-01	Gasket

* Included In Replacement Parts Kit

** 2123-108L 1-1/2" High Flow Valve		
No.	Part No.	Description
2123-109 2" Valve		
2123-009-99 Replacement Parts Kit		
1.*	2123-009-01	Gasket
2.*	2123-009-02	Diaphragm
3.*	2123-009-03	O-ring
4.	2123-009-04	Retainer Bushing
5.*	2123-009-05	O-ring
6.	2123-009-06	Disk Retainer
7.*	2123-009-07	O-ring
8.	2123-009-08	Seat
9.	2123-007-15	Diaphragm Plate
10.	"Deleted"	Lock Washer, Internal
11.*	7082-506	Lock Nut
12.	2123-109-12	Cap
13.*	7082-506	Lock Nut
14.	7010-505-07	Cap Screw
15.	2123-009-15	Diaphragm Plate
17.	7082-505	Hex Nut
18.	2123-009-27	Body, 1-1/2" high flow
	2123-009-18	Body, 2"
19.	2123-009-19	Shaft
20.*	2123-009-01	Gasket
21.*	2123-009-21	Disc
22.*	2123-107-22	O-ring
23.	2123-109-23	Spring Retainer
24.	2123-109-24	Spring
25.	2014-300	Vent, 1/8"
26.*	2123-009-28	Washer

* Included In Replacement Parts Kit

** 1-1/2" High Flow Valve is Standard On Units Manufactured After July 1, 2008



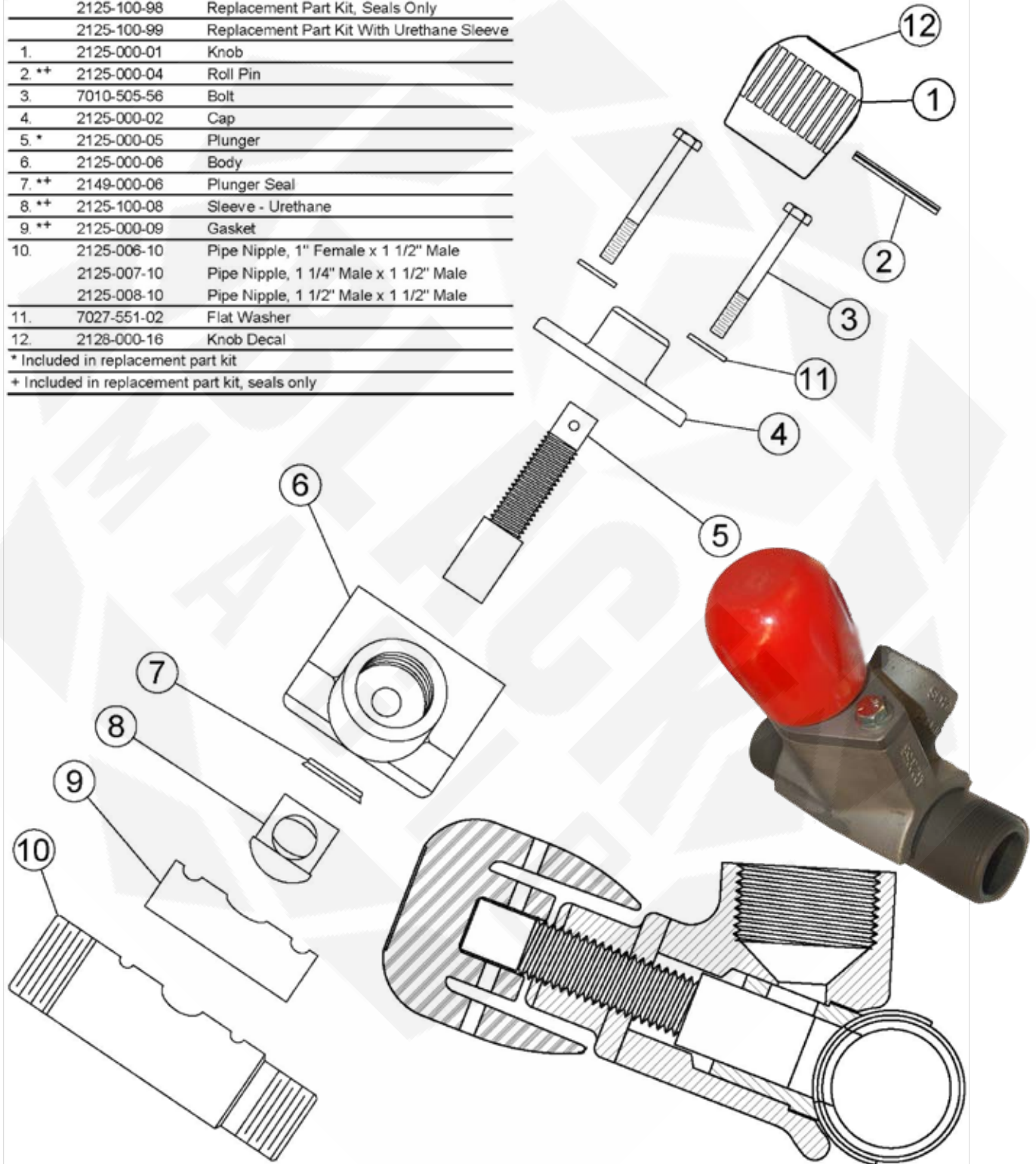
NOTE: With spring closed valve air flow is in opposite direction from arrow on valve body.

Schmidt Valves

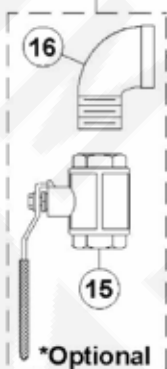
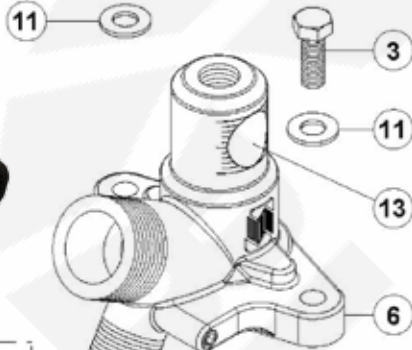
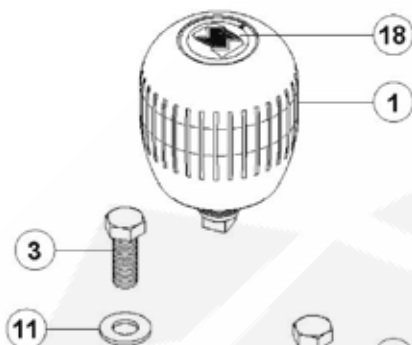
Schmidt Air Blast Equipment & Parts

Metering Valve - MicroValve - Pressure Release

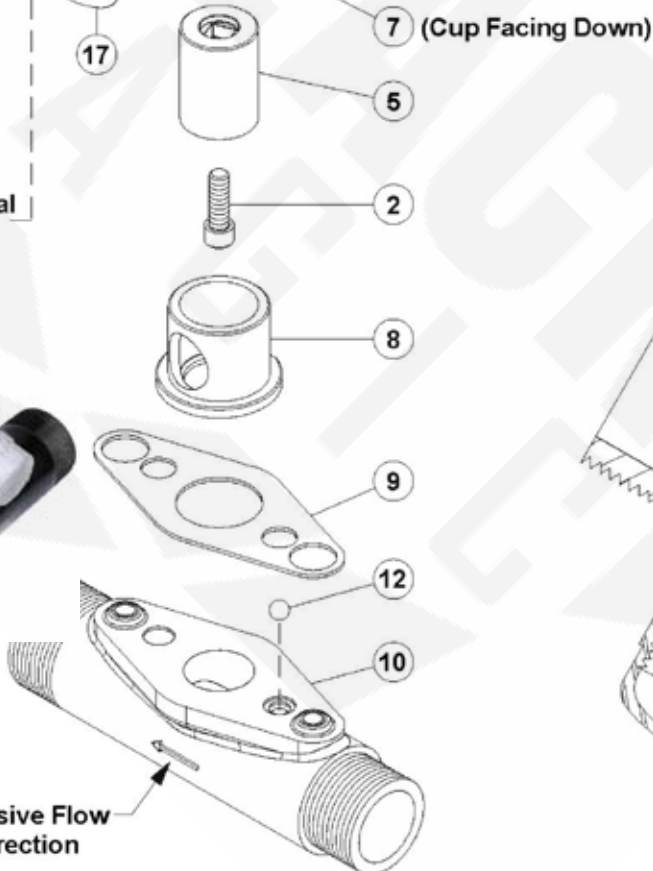
	2125-106	1" Microvalve with Urethane Sleeve
	2125-107	1 1/4" Microvalve with Urethane Sleeve
	2125-108	1 1/2" Microvalve with Urethane Sleeve
No.	Part No.	Description
	2125-100-98	Replacement Part Kit, Seals Only
	2125-100-99	Replacement Part Kit With Urethane Sleeve
1.	2125-000-01	Knob
2.**	2125-000-04	Roll Pin
3.	7010-505-56	Bolt
4.	2125-000-02	Cap
5.*	2125-000-05	Plunger
6.	2125-000-06	Body
7.**	2149-000-06	Plunger Seal
8.**	2125-100-08	Sleeve - Urethane
9.**	2125-000-09	Gasket
10.	2125-006-10	Pipe Nipple, 1" Female x 1 1/2" Male
	2125-007-10	Pipe Nipple, 1 1/4" Male x 1 1/2" Male
	2125-008-10	Pipe Nipple, 1 1/2" Male x 1 1/2" Male
11.	7027-551-02	Flat Washer
12.	2128-000-16	Knob Decal
* Included in replacement part kit		
+ Included in replacement part kit, seals only		



Metering Valve - MicroValve 2 (MV2) - Pressure Release



*Optional

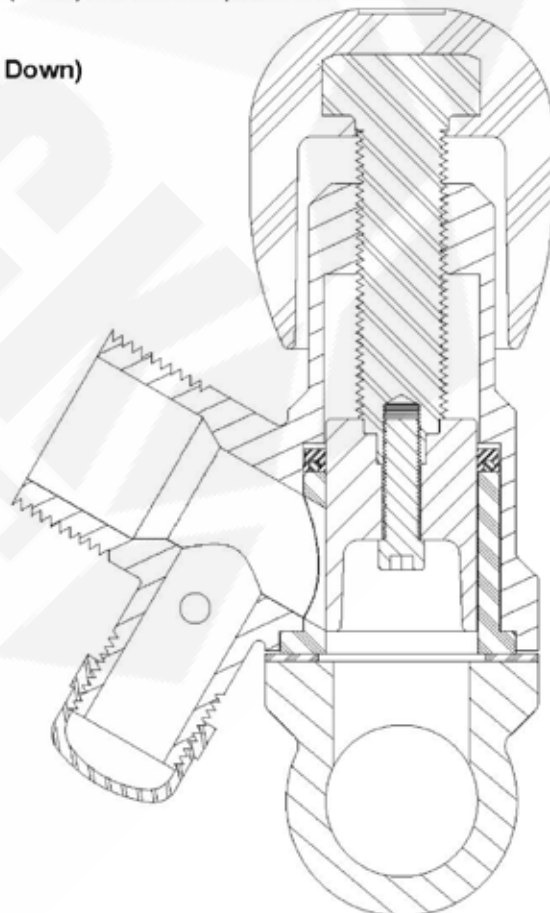


Abrasive Flow Direction

No.	Part No.	Description
	2127-107	MV2 Valve Assembly, Urethane 1-1/4" & 1"
	2127-108	MV2 Valve Assembly, Urethane 1-1/2"
	2127-100-98	Replacement Parts Kit, Seals Only
	2127-100-99	Replacement Parts Kit
1.	2128-000-01	Knob
2.*	7011-005-06O	Socket Head Cap Screw, 5/16" x 1" Self Sealing
3.	7010-507-06	Hex Bolt, 3/8" x 1" Lg.
5.*	2127-000-05	Plunger
6.	2127-000-06	Body
7.*	+2149-500-06	Plunger Seal
8.*	+2128-100-08	Polyurethane Sleeve
9.*	+2127-000-15	Gasket
10.	2127-007-10	Base, 1 1/4"
	2127-008-10	Base, 1 1/2"
11.	7027-503-02	Flat Washer, 3/8"
12.*	+2127-000-12	Ball
13.	2127-000-13	Orifice Indicator Decal
14.	2127-000-14	Cleanout Ball Valve Adder
15.	2401-505	Ball Valve, 3/4" Full Port
16.	3006-105	Street Elbow 90°, 3/4" Galv.
17.	3037-105	Pipe Cap, 3/4" Galv.
18.	2128-000-16	Knob Decal
		* Included In Replacement Parts Kit
		+ Included In Replacement Parts Kit, Seals Only

Notes:

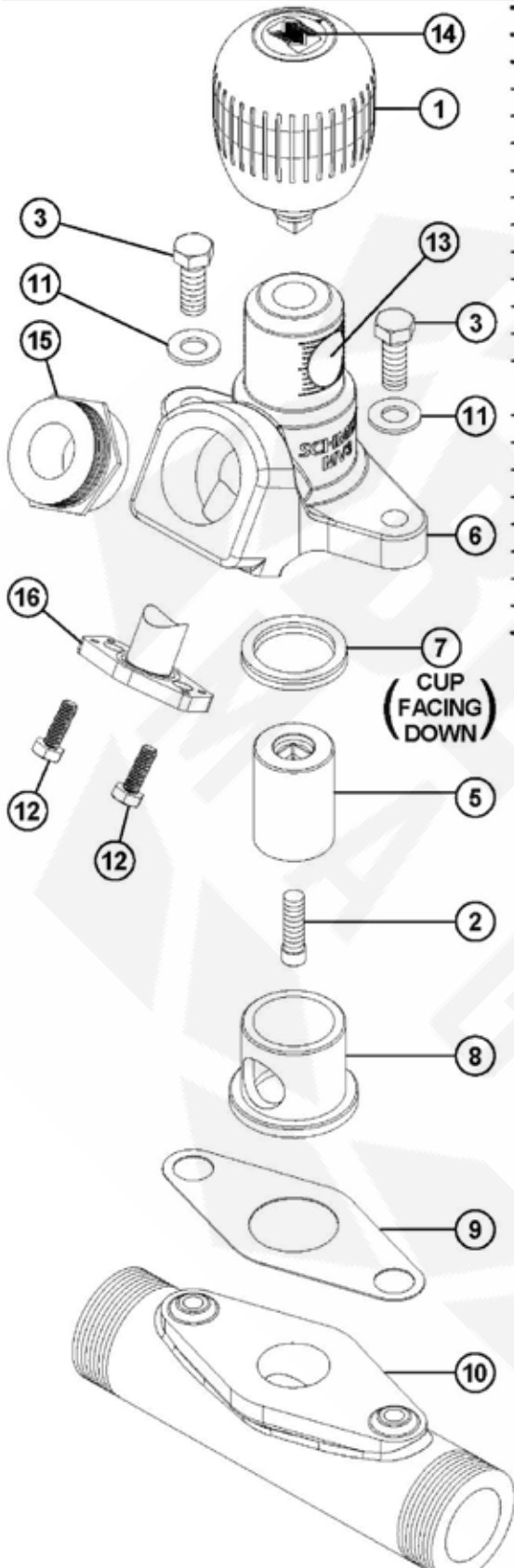
- (1) An 1-1/4" MV2 with a reducing elbow is used in 1" piping systems.
- (2) Hex bolts (item 3) should be torqued to 30-35 ft.-lbs.



Schmidt
Valves

Schmidt Air Blast Equipment & Parts

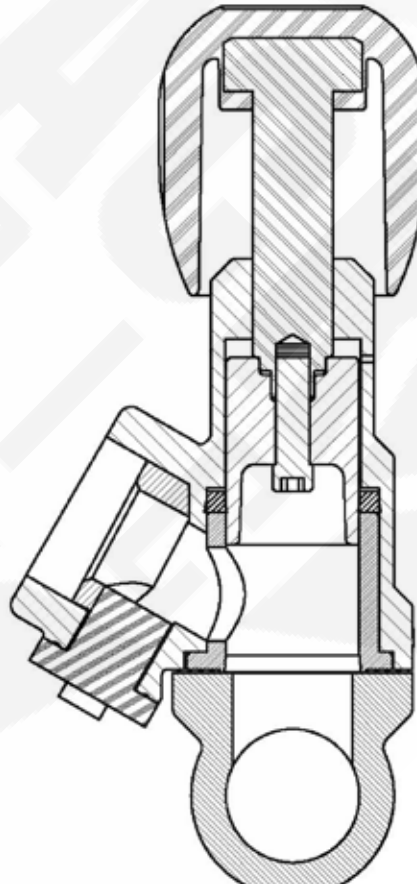
Metering Valve - MicroValve 3 (MV3)- Pressure Release



No.	Part No.	Description
	2128-107	MV3 Valve Assembly, Urethane 1-1/4" & 1"
	2128-108	MV3 Valve Assembly, Urethane 1-1/2"
	2128-100-98	Replacement Parts Kit, Seals Only
	2128-100-99	Replacement Parts Kit
1.	2128-000-01	Knob
2.*	7011-005-06O	Socket Head Cap Screw, 5/16" x 1" Lg.
3.	7010-507-06	Hex Bolt, 3/8" x 1" Lg.
5.*	2127-000-05	Plunger
6.	2128-000-06	Body
7.*	+2149-500-06	Plunger Seal
8.*	+2128-100-08	Polyurethane Sleeve
9.*	+2128-000-15	Gasket
10.	2128-007-10	Base, 1 1/4"
	2128-008-10	Base, 1 1/2"
11.	7027-503-02	Flat Washer, 3/8"
12.	7010-503-04	Hex Bolt, 1/4" x 1/2" Lg.
13.	2128-000-13	Orifice Indicator Decal
14.	2128-000-16	Knob Decal
15.	2128-000-20	Media Inlet Nipple
16.	2128-000-18	Cleanout Plug
		* Included In Replacement Parts Kit
		+ Included In Replacement Parts Kit, Seals Only

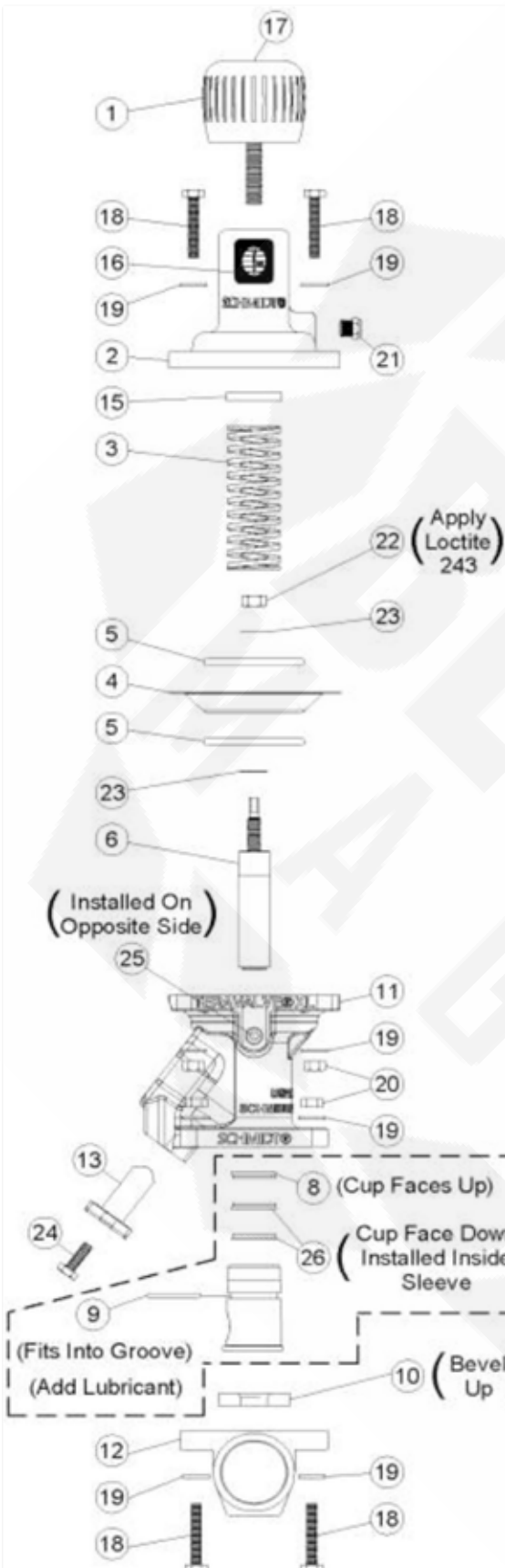
Notes:

- 1) An 1-1/4" MV3 with a reducing elbow is used in 1" piping systems.
- 2) Hex bolts (item 3) should be torqued to 30-35 ft.-lbs.

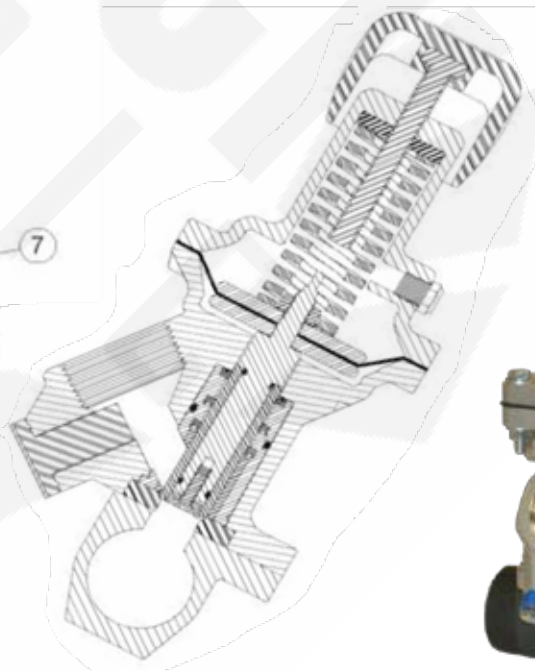


Schmidt Valves

Metering Valve - TeraValve XL - Pressure Hold



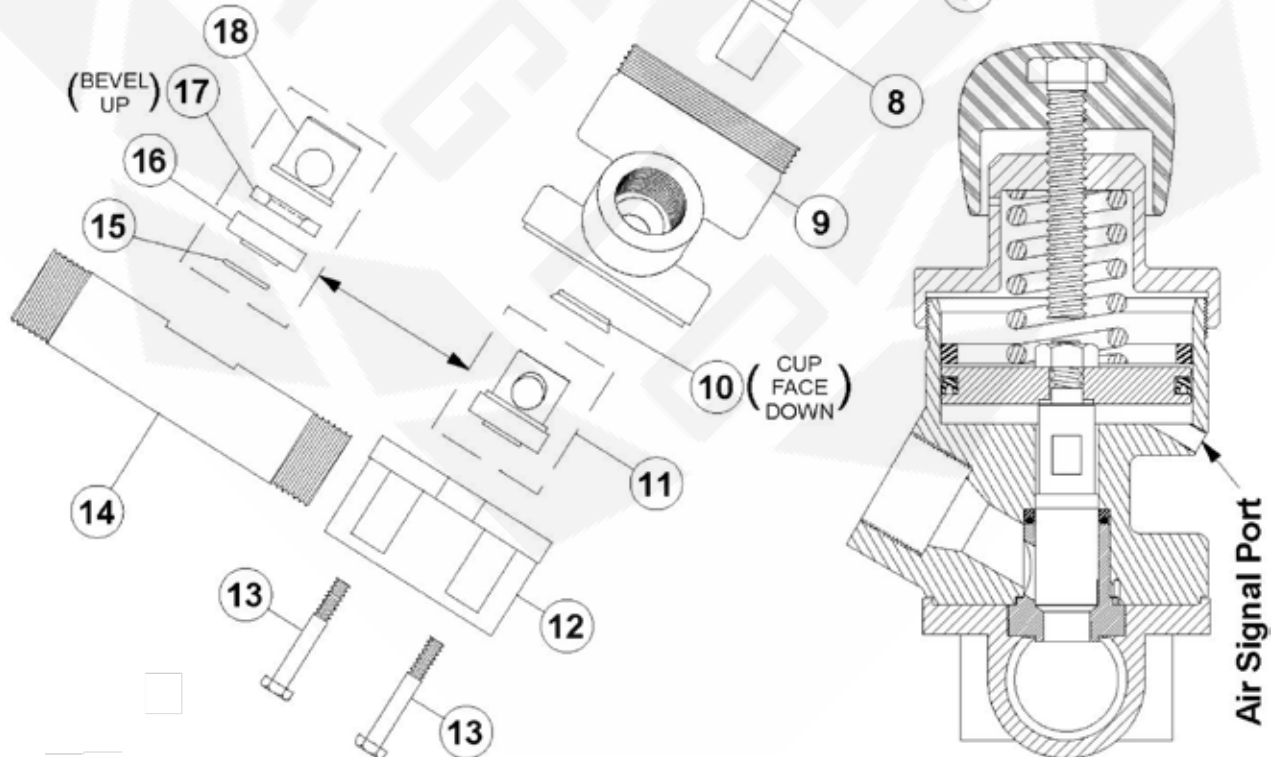
2130-005	TeraValve XL, Tungsten Carbide 3/4"	
2130-006	TeraValve XL, Tungsten Carbide 1"	
2130-007	TeraValve XL, Tungsten Carbide 1 1/4"	
2130-008	TeraValve XL, Tungsten Carbide 1 1/2"	
No.	Part No.	Description
	2130-000-98	Replacement Parts Kit, Seals Only
	2130-000-99	Replacement Parts Kit
1.	2130-000-01	Knob
2.	2130-000-02	Cap
3.*	2130-000-03	Spring
4.*+	2130-000-04	Diaphragm
5.	2130-000-05	Diaphragm Plate
6.*	2130-000-06	Tungsten Carbide Plunger
7.*	2130-000-07	Tungsten Carbide Sleeve (Includes O-Ring & Internal Wipers)
8.*+	2130-000-08	Plunger Seal
9.*+	2130-000-09	Sleeve O-Ring
10.*+	2130-000-10	Seat
11.	2130-000-11	Body
12.	2130-005-12	Base 3/4" x 3/4"
	2130-006-12	Base 1" x 1 1/4"
	2130-007-12	Base 1 1/4" x 1 1/4"
	2130-008-12	Base 1 1/2" x 1 1/2"
13.*	2130-000-13	Cleanout Plug
15.	2130-000-15	Vibration Disc
16.	2130-000-16	Virtual Position Indicator Decal
17.	2130-000-17	Knob Decal
18.	7010-503-08	Hex Bolt, 1/4" UNC x 1 1/2" Lg.
19.	7027-502-02	Flat Washer, 1/4" SAE
20.	7017-503	Hex Nut, 1/4" UNC
21.	2014-300	Breather Vent, 1/8"
22.	7017-505	Hex Nut, 5/16" UNC
23.*+	2123-009-01	Gasket
24.	7010-503-04	Hex Bolt, 1/4" UNC x 1/2" Lg.
25.	3032-100	Plug, 1/8"
26.*	2130-000-08	Plunger Seal (Remove O-Rings)
* Included in Replacement Parts Kit		
+ Included in Replacement Parts Kit, Seals Only		



Schmidt Valves

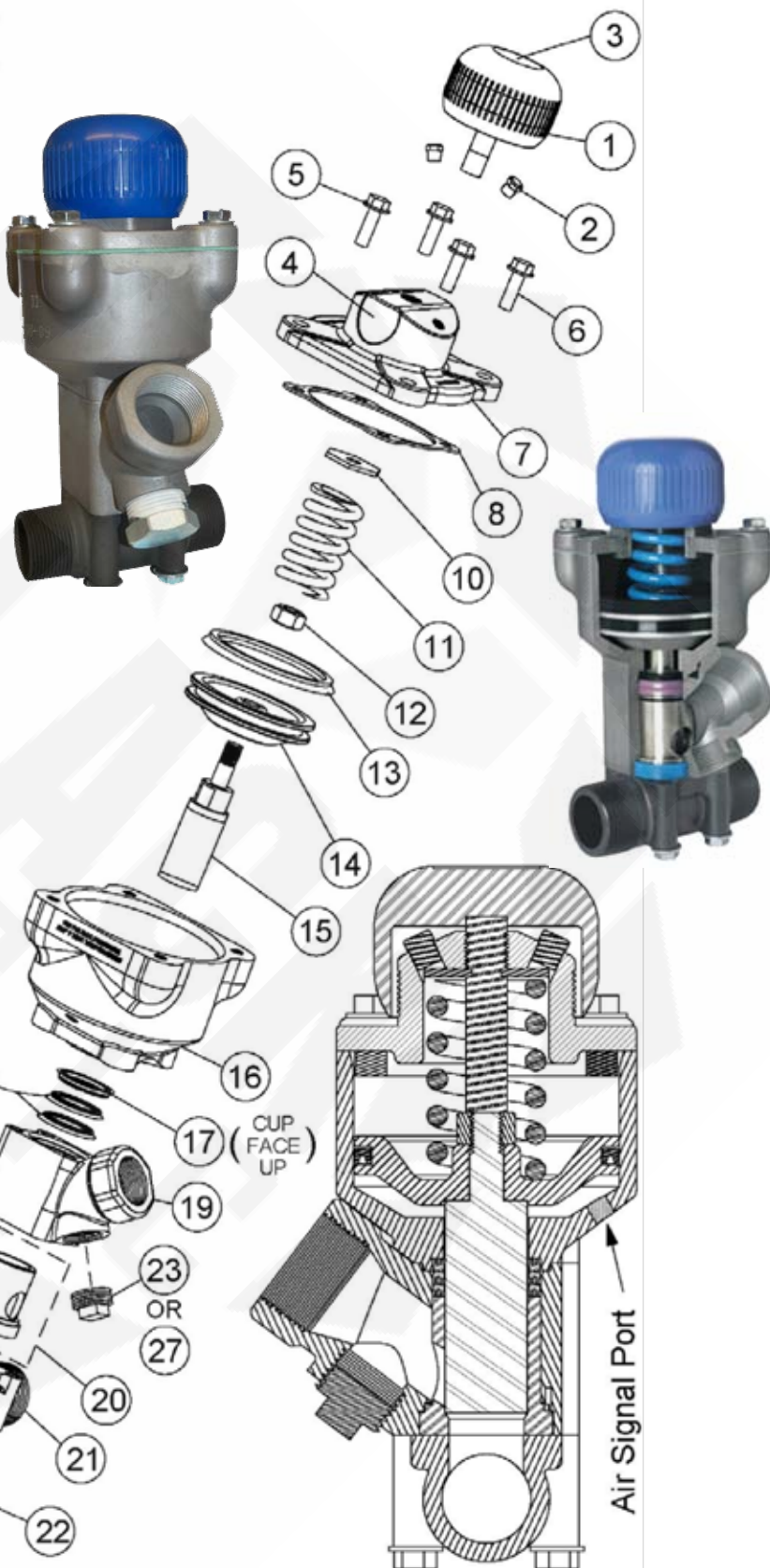
Metering Valve - Thompson Valve - Pressure Hold

	2149-006	1" Valve With Tungsten Carbide Sleeve
	2149-106	1" Valve With Urethane Sleeve
	2149-007	1 1/4" Valve With Tungsten Carbide Sleeve
	2149-107	1 1/4" Valve With Urethane Sleeve
	2149-008	1 1/2" Valve With Tungsten Carbide Sleeve
	2149-108	1 1/2" Valve With Urethane Sleeve
No.	Part No.	Description
	2149-000-99	Replacement Parts Kit (Tungsten Carbide)
	2149-000-98	Replacement Seals Kit (Tungsten Carbide)
	2149-100-99	Replacement Parts Kit (Urethane)
	2149-100-98	Replacement Seals Kit (Urethane)
1.	2149-000-01	Knob
2.	2149-000-02	Cap
3.	2149-000-19	Bump Ring
4.	2149-000-03	Spring (3-3/16" Lg.)
5.	2149-000-08	Nut
6.*	2149-000-04	Piston Seal
7.	2149-000-05	Piston
8.*	2149-000-07	Tungsten Carbide Plunger
9.	2149-000-09	Cylinder
10.*	2149-000-06	Plunger Seal
11. +	2149-100-13	Urethane Sleeve
12.	2149-000-11	Base
13.	7010-507-55	Bolt
14.	2149-006-15	Pipe Nipple, 1" fnpt x 1-1/2" mnpt
	2149-007-15	Pipe Nipple, 1 1/4" mnpt x 1-1/4" mnpt
	2149-008-15	Pipe Nipple, 1 1/2" mnpt x 1-1/2" mnpt
15.*	2149-000-18	O-Ring
16.*	2149-000-14	Insert
17.*	2149-000-10	Seat
18.*	2149-000-13	Tungsten Carbide Sleeve
* Included In Replacement Parts Kit For Tungsten Carbide Sleeve		
+ Included In Replacement Parts Kit For Urethane Sleeve		



Metering Valve - Thompson Valve II (TVII) - Pressure Hold

2152-006	1" Valve With Tungsten Carbide Sleeve	
2152-106	1" Valve With Urethane Sleeve	
2152-007	1 1/4" Valve With Tungsten Carbide Sleeve	
2152-107	1 1/4" Valve With Urethane Sleeve	
2152-008	1 1/2" Valve With Tungsten Carbide Sleeve	
2152-108	1 1/2" Valve With Urethane Sleeve	
No.	Part No.	Description
	2152-000-99	Replacement Parts Kit (Tungsten Carbide)
	2152-000-98	Replacement Seals Kit (Tungsten Carbide)
	2152-100-99	Replacement Parts Kit (Urethane)
	2152-100-98	Replacement Seals Kit (Urethane)
1.	2152-000-01	Knob
2.	2152-000-17	Breather Vent
3.	2152-000-27	TVII Knob Decal
4.	2152-000-28	TVII Cylinder Decal
5.	7027-503-02	Washer
6.	7010-507-07	Hex Bolt, 3/8" UNC x 1-1/4" Lg.
7.	2152-000-02	Cap Plate
8.*	2152-000-16	Cap Gasket
9.	(Deleted)	Bump Ring
10.	2152-000-25	Vibration Disc
11.	2152-000-03	Spring (3-1/2" Lg.)
12.	2149-000-08	Nut
13.*	2149-000-04	Piston Seal
14.	2152-000-05	Piston
15.*	2152-000-07	Tungsten Carbide Plunger
16.	2152-000-09	Cylinder
17.*	2152-000-06	Plunger Seal, 1 req'd (Purple Urethane)
18.*	2152-000-06	Plunger Seal, 2 req'd (Purple Urethane)
19.	2152-000-14	Body
20. +	2152-100-13	Urethane Sleeve
21.	2152-000-19	Base, 1" FNPT X 1-1/2" MNPT
	2152-000-15	Base, 1-1/4" MNPT X 1-1/4" MNPT
	2152-000-11	Base, 1-1/2" MNPT X 1 1/2" MNPT
22.	7010-507-95	Hex Bolt, 3/8" UNC x 4 3/4" Lg.
23.	3014-806	Plug, 1"
24.*	2152-000-21	O-Ring
25.*	2152-000-13	Tungsten Carbide Sleeve
26.*	2152-000-10	Seat
27.	8403-000-54	Cleanout Ball Valve Adder
28.	3006-106	Street Elbow 90°, 1" Galv.
29.	3029-106-09	Nipple TBE, 1" x 2" Lg. Galv.
30.	2401-506	Ball Valve, 1" Full Port
* Included In Replacement Parts Kit For Tungsten Carbide Sleeve		
+ Included In Replacement Parts Kit For Urethane Sleeve		



Schmidt Valves

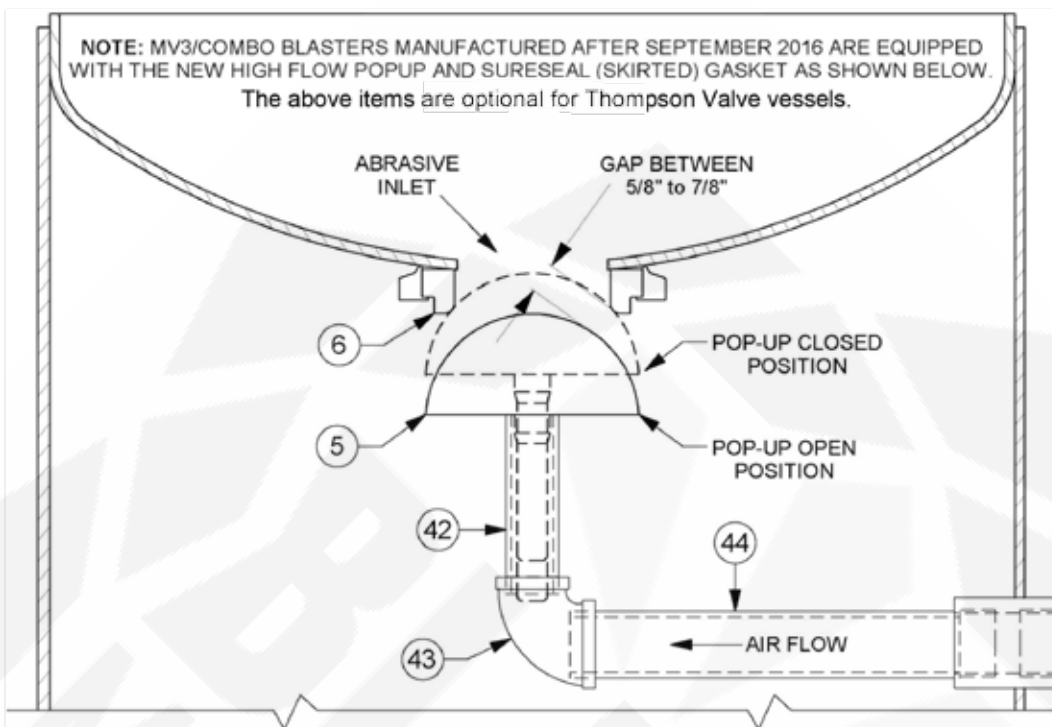
Metering Valve - Thompson Valve II XL (TVII XL) - Pressure Hold



Part No	Description
2153-006	TVII XL™, T.C. 1"
2153-007	TVII XL, T.C. 1 ¼"
2153-008	TVII XL, T.C. 1½"
2153-217	TVII XL, T.C. 1¼" Slotted Sleeve
2153-218	TVII XL, T.C. 1½" Slotted Sleeve
2153-437	TVII XL, T.C. 1¼"
	Multiport Sleeve Rng III
2153-438	TVII XL, TC 1½"
	Multiport Sleeve Rng III.
2149-000-04PKG* ..	Piston Seal (10pk)
2149-000-08PKG....	Plunger Nut 1/2" (4 pk)
2149-500-06PKG* ..	Plunger Seal (black 10pk)
2152-000-01	Knob.
2152-000-03	Spring
2152-000-05	Piston
2152-000-07*	Plunger
2152-000-10*	Seat
2152-000-11	Base, 1½" NPT
2152-000-17PKG....	Breather Vent (4 pk)
2152-000-21PKG*	TVII O-ring, carbide sleeve, (10pk)
2152-000-25PKG....	TV Vibration Disc (10 pk)
2153-000-02	TVII XL Cap
2153-000-09	TVII XL Cylinder
2153-000-13*	TVII XL TC Sleeve (includes O-Ring and internal wipers)
2153-000-14	TVII XL Body with sleeve pin
2153-000-16*	TVII XL Cap Gasket (black)
2153-000-22	TVII XL Cleanout Plug w/ O-Ring
2153-000-23PKG....	TVII XL Cleanout Plug O-Ring (10pk) ..
2153-000-25PKG....	TVII XL Hex Head Flange Bolt (4pk.) 3/8" UNC x 1¼"
2153-000-26PKG....	TVII XL Hex Head Flange Bolt (4pk.) 3/8" UNC x 4 3/4"
2153-000-98	Replacement Parts Kit TVII XL Carbide, seals only .
2153-000-99	Replacement Parts Kit TVII XL Carbide

* Included in replacement parts kit, Tungsten Carbide Sleeve

Pop-Up and Internal Piping



NO.	PART NO.	DESCRIPTION	VESSEL
5.	2100-000	Pop-Up Head, (1 Bag)	(1.5cu.ft.)
	2100-010	Pop-Up Head, (3 & 6 Bag)	(3.5, 6.5, 10, & 20cu.ft.)
	2100-010-04	Pop-Up Head, (3 & 6 Bag) High Flow	(3.5, 6.5, 10, & 20cu.ft. built after Sept. 2016)
6.	2100-001	Pop-Up Gasket (1 Bag)	(1.5cu.ft.)
	2100-011	Pop-Up Gasket, (3 & 6 Bag)	(3.5, 6.5, 10, & 20cu.ft.)
	2100-011-04	Pop-Up Gasket, (3 & 6 Bag) SureSeal	(3.5, 6.5, 10, & 20cu.ft. built after Sept. 2016)
*42.	3030-005-11	Nipple TOE, 3/4" x 3" LG	(1.5cu.ft.)
	3030-006-17	Nipple TOE, 1" x 8" LG	(3.5, 6.5, & 20cu.ft.)
	3030-006-86	Nipple TOE, 1" x 7 1/2" LG	(3.5, 6.5, & 20cu.ft. built after Sept. 2016)
	3030-006-23	Nipple TOE, 1" x 13 3/4" LG	(10cu.ft.)
	3030-006-23	Nipple TOE, 1" x 13 1/4" LG	(10cu.ft. built after Sept. 2016)
43.	3010-006-05	Red. Elbow 90, 1" x 3/4"	(1.5cu.ft.)
	3010-007-06	Red. Elbow 90, 1 1/4" x 1"	(3.5, 6.5, & 10cu.ft.)
	3010-008-06	Red. Elbow 90, 1 1/2" x 1"	(20cu.ft.)
44.	3029-006-14	NIPPLE TBE, 1" x 5" LG	(1.5cu.ft.)
	3029-007-28	NIPPLE TBE, 1 1/4" x 7 1/2" LG	(3.5cu.ft.)
	3029-007-19	NIPPLE TBE, 1 1/4" x 10 1/4" LG	(6.5 & 10cu.ft.)
	3029-008-25	NIPPLE TBE, 1 1/2" x 16" LG	(20cu.ft.)

*It may be necessary to cut to length to obtain the proper pop-up gap as shown above.



2100-010
Pop-Up Head



2100-010-14
Pop-Up Head High Flow



2100-011
Pop-Up Gasket



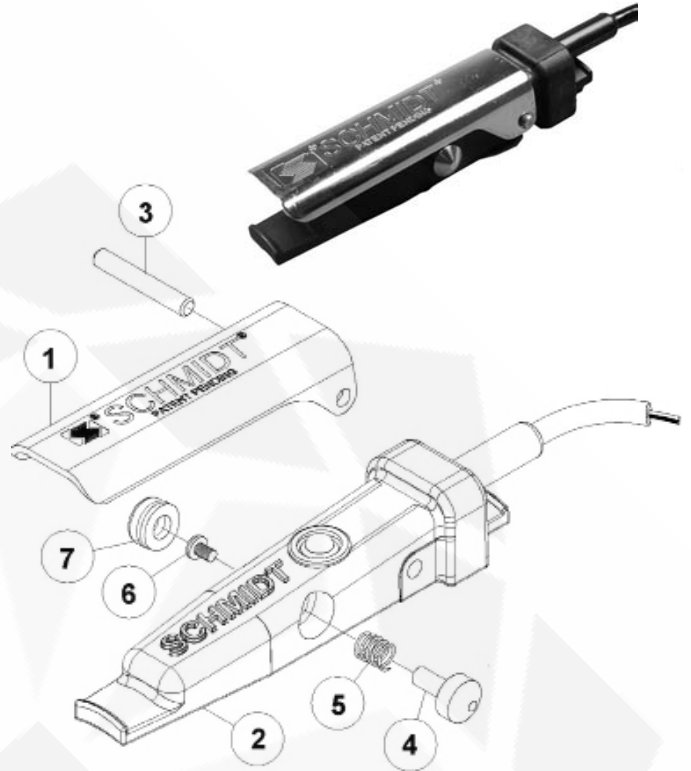
2100-011-14
Pop-Up Gasket SureSeal

Schmidt
Valves

Schmidt Air Blast Equipment & Parts

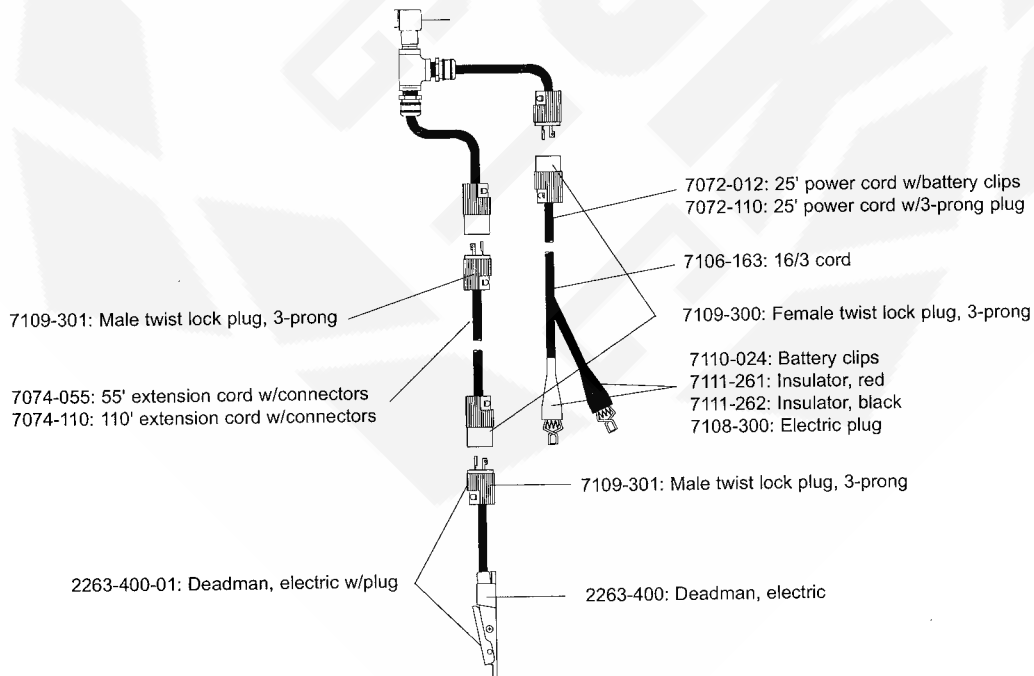
Remote Controls / Deadman Handles - Electric

No.	Part No.	Description
	2263-402	G2 Deadman Valve Electric
	2263-402-01	G2 Deadman Valve Electric, with Plug
1	2263-002-01	G2 Deadman Lever
2	Not Available	Deadman Body
3	2263-002-04PKG.	G2 Hinge Pin (10 pk)
4	2263-002-06PKG.	G2 Button (4pk)
5	Not Available	G2 Spring
6	Not Available	Screw for Buttom
7	2263-002-10PKG.	G2 Dust Plug (10pk)
	Not Available	G2 Replacement Parts Kit, - Electric



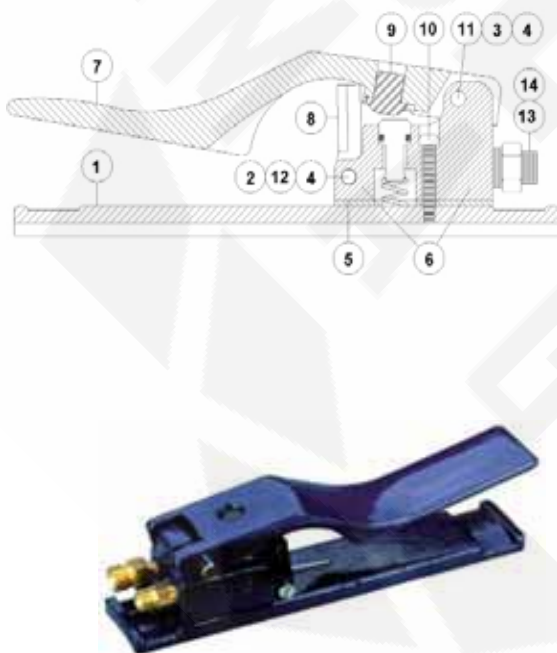
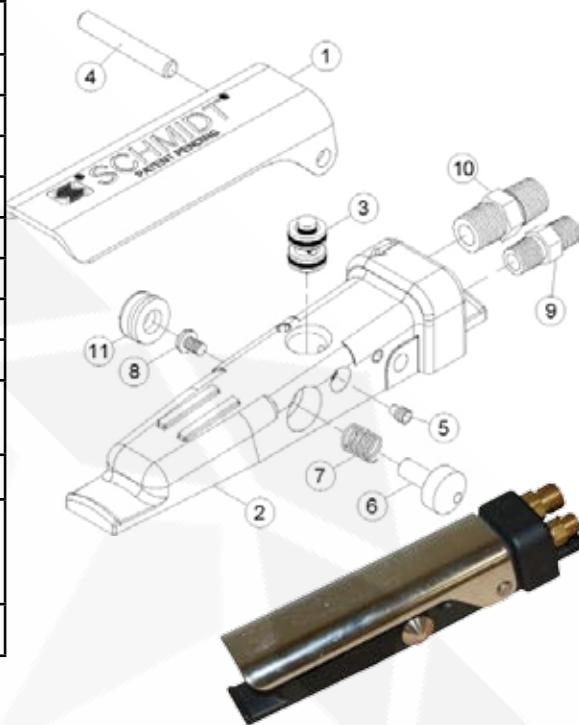
Original orange Electric Deadman 2263-400 and all parts are no longer available.

Junction Tee Assy, 12VD: 7112-000



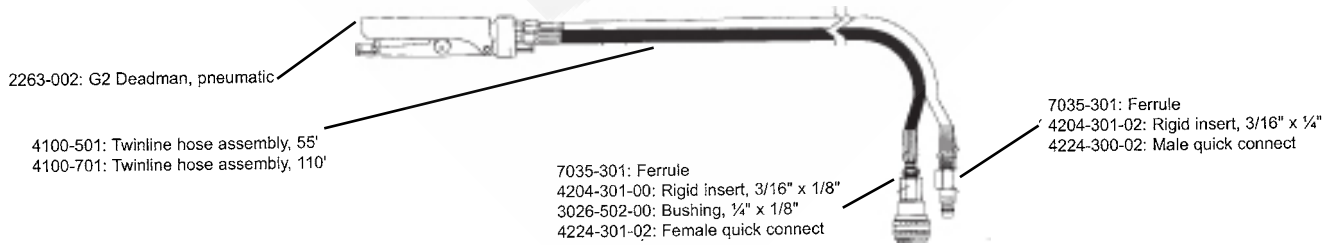
Remote Controls / Deadman Handles - Pneumatic

No.	Part No.	Description
	2263-002	G2 Deadman Valve Pneumatic
1	2263-002-01	G2 Deadman Lever
2	Not Available	Deadman Body
4	2263-002-04PKG.	G2 Hinge Pin (10 pk)
6	2263-002-06PKG.	G2 Button (4pk)
9	3031-300-00	Hex Nipple, 1/8" x 1/8" with ball seat
10	3031-302-02	Hex Nipple, 1/4" x 1/4" with ball seat
11	2263-002-10PKG.	G2 Dust Plug (10pk)
	2263-002-99	G2 Replacement Parts Kit, includes item # 3, 5, 7, 8, 11
Replacement Parts for Pneumatic Deadman 2263-000		
	2263-000-99	Pneumatic Deadman Replacement Parts Kit. Includes : Cartridge, Set Screw, Spring and Screw for Buttom.
This deadman and all parts are no longer available.		

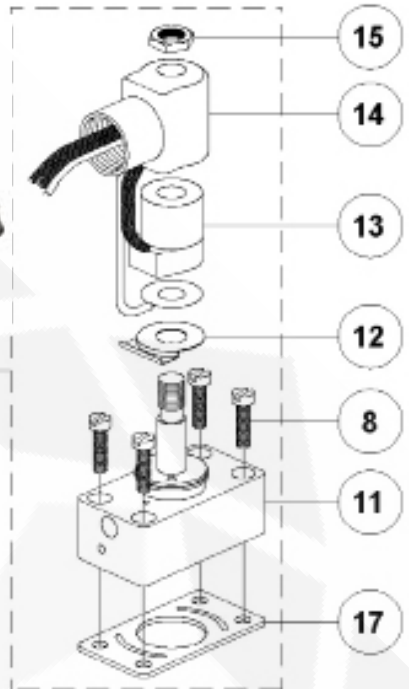
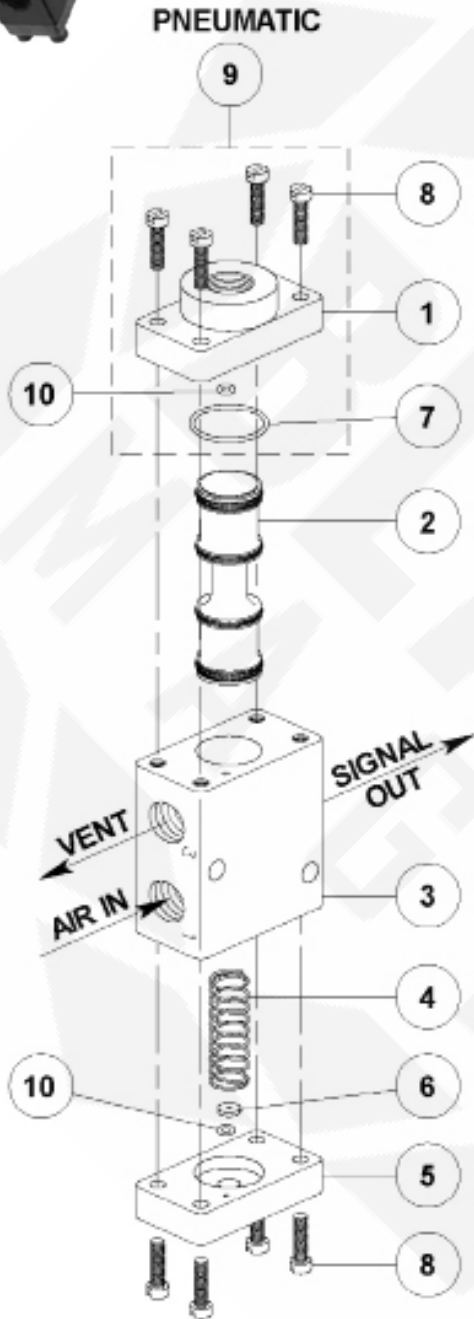


No.	Part No.	Description
	2263-001	Deadman II Control, Pneumatic
1	Not Available	Base
2 +	2263-001-02PKG	Safety Flap Spring (10 pk)
3 +	2263-001-03PKG	Lever Hinge Screw (10 pk)
4	2263-001-04PKG	Hinge Pin Nut (10 pk)
5*+	2263-001-05PKG	Body Gasket (10 pk)
6*+	Not Available	Valve Body Assembly
7	Not Available	Lever
8 +	2263-001-08PKG	Safety Flap (10 pk)
9*+	2263-001-09PKG	Plunger Plug (10 pk)
10	Not Available	Body Mounting Screw
11	2263-001-11PKG	Lever Spring (10 pk)
12 +	2263-001-12PKG	Flap Hinge Screw (10 pk)
13	3031-300-00	Hex Nipple, 1/8" x 1/8" with ball seat
14	3031-302-02	Hex Nipple, 1/4" x 1/4" with ball seat
*	2263-001-98	Deadman II Replacement Parts Kit Phase II
+	2263-001-99	Deadman II Replacement PartsKit Phase I

Schmidt Valves



Remote Controls - Control Valves

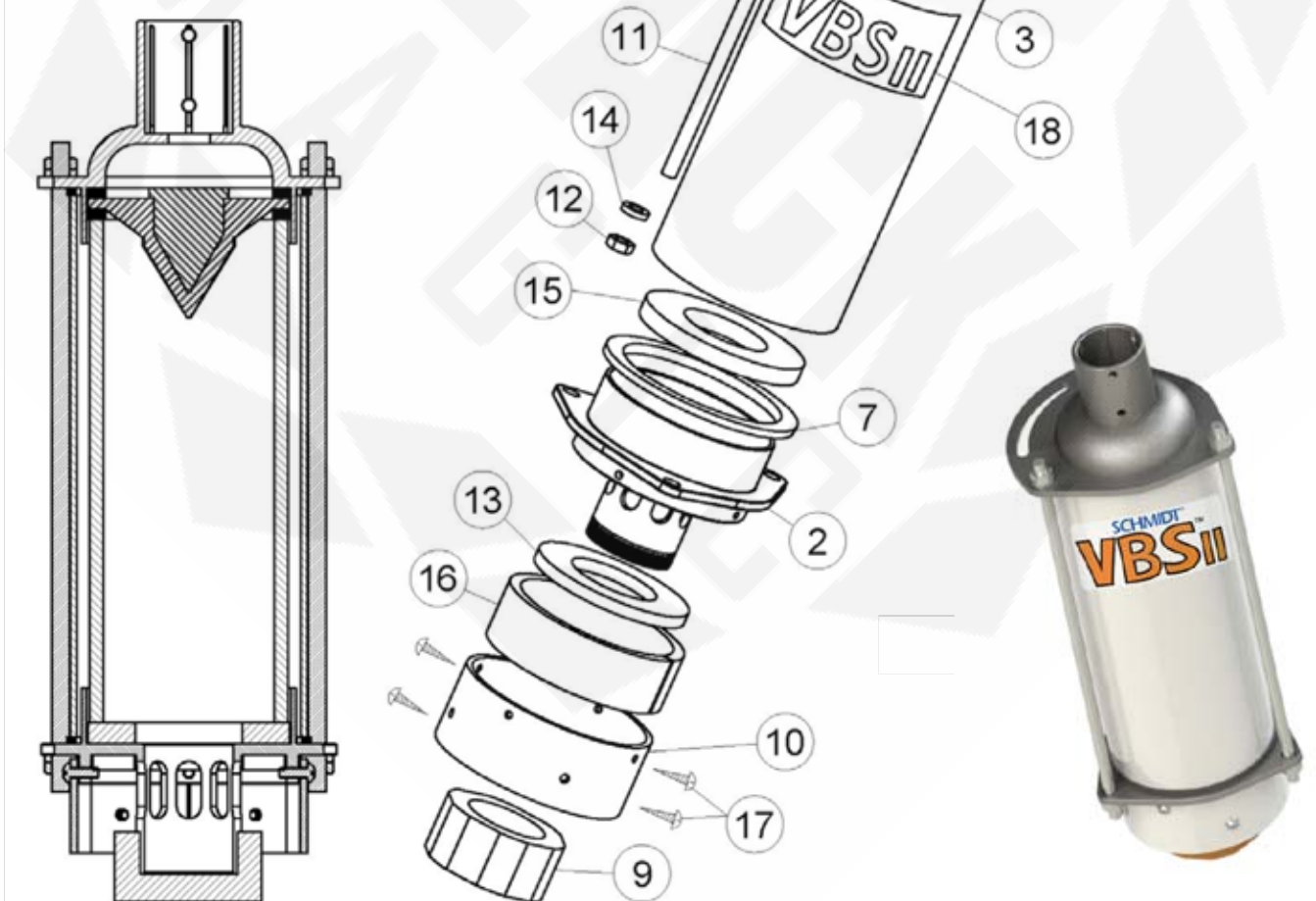


	2229-000	Pneumatic Control Valve
	2229-100	Electric Control Valve, 12 Volt D.C.
	2229-101	Electric Control Valve, 12 Volt A.C.
	2229-102	Electric Control Valve, 24 Volt D.C.
	2229-100	Electric Control Valve, 24 Volt A.C.
	2229-105	Electric Control Valve, 120 Volt A.C.
No.	Part No.	Description
	2229-000-99	Replacement Parts Kit (Pneumatic)
	2229-100-99	Replacement Parts Kit (Electric)
1.	Not Available	Air Operator Cap
2.*	2229-000-02	Plunger w/O-Rings
3.	Not Available	Valve Body
4.*	2229-000-04	Spring
5.	Not Available	Spring Retainer
6.*	2229-000-06	Filter Disk
7.*	2229-000-07	O-Ring (Large)
8.	Not Available	Screw (8)
9.	2229-000-09	Air Operator Assembly
10.*	2229-000-10	O-Ring (2 ea)
11.	Not Available	Electric Operator Cap
12.	Not Available	Coil Cover Bottom
13.	2229-100-03	Coil 12 Volt D.C.
	2229-101-03	Coil 12 Volt A.C.
	2229-102-03	Coil 24 Volt D.C.
	2229-100-03	Coil 24 Volt A.C.
	2229-105-03	Coil 120 Volt A.C.
14.	Not Available	Coil Cover
15.	Not Available	Nut
16.	2229-100-06	Solenoid Pilot Assembly, 12 Volt D.C.
	2229-101-06	Solenoid Pilot Assembly, 12 Volt A.C.
	2229-102-06	Solenoid Pilot Assembly, 24 Volt D.C.
	2229-100-06	Solenoid Pilot Assembly, 24 Volt A.C.
	2229-105-06	Solenoid Pilot Assembly, 120 Volt A.C.
17. +	2229-100-07	Gasket (Electric Only)
* Included in replacement parts kit-pneumatic		
+ Included in replacement parts kit-electric		

Volumetric Blowdown Suppression System II

No.	Part No.	Description
	2011-501	Volumetric Blowdown Suppression System II
	2011-501-97	VBS II Sounds Element Replacement Parts Kit
	2011-501-98	VBS II Seal Gasket Replacement Parts Kit
	2011-501-99	VBS II Complete Replacement Parts Kit
1.	2011-501-01	VBS II Cap
2.	2011-501-02	VBS II Base
3.	2011-501-03	VBS II Casing
4.*	2011-501-04	VBS II Internal Element
5.*	2011-501-05	VBS II Deflector Target Plug
6.*	2011-501-06	VBS II Baffle Cone
7.*§	2011-501-07	VBS II Casing Gasket
8.*§	2011-501-08	VBS II Baffle Gasket
9.	2011-500-09	VBS Exhaust Cap
10.	2011-501-09	VBS II Base Shroud
11.	2011-501-10	VBS II Stud 5/16"-18 x 11 5/8" Lg.
12.	7017-505	Hex Nut, 5/16" UNC
13.*	2011-501-11	VBS II Exhaust Sound Element Disc
14.	7028-551	Lockwasher, 5/16"
15.*	2011-500-06	VBS Deflector
16.*	2011-501-12	VBS II Exhaust Sound Element
17.	7024-545-05	Screw #8, 3/4" (14 Required)
18.	2011-501-15	VBS II Decal

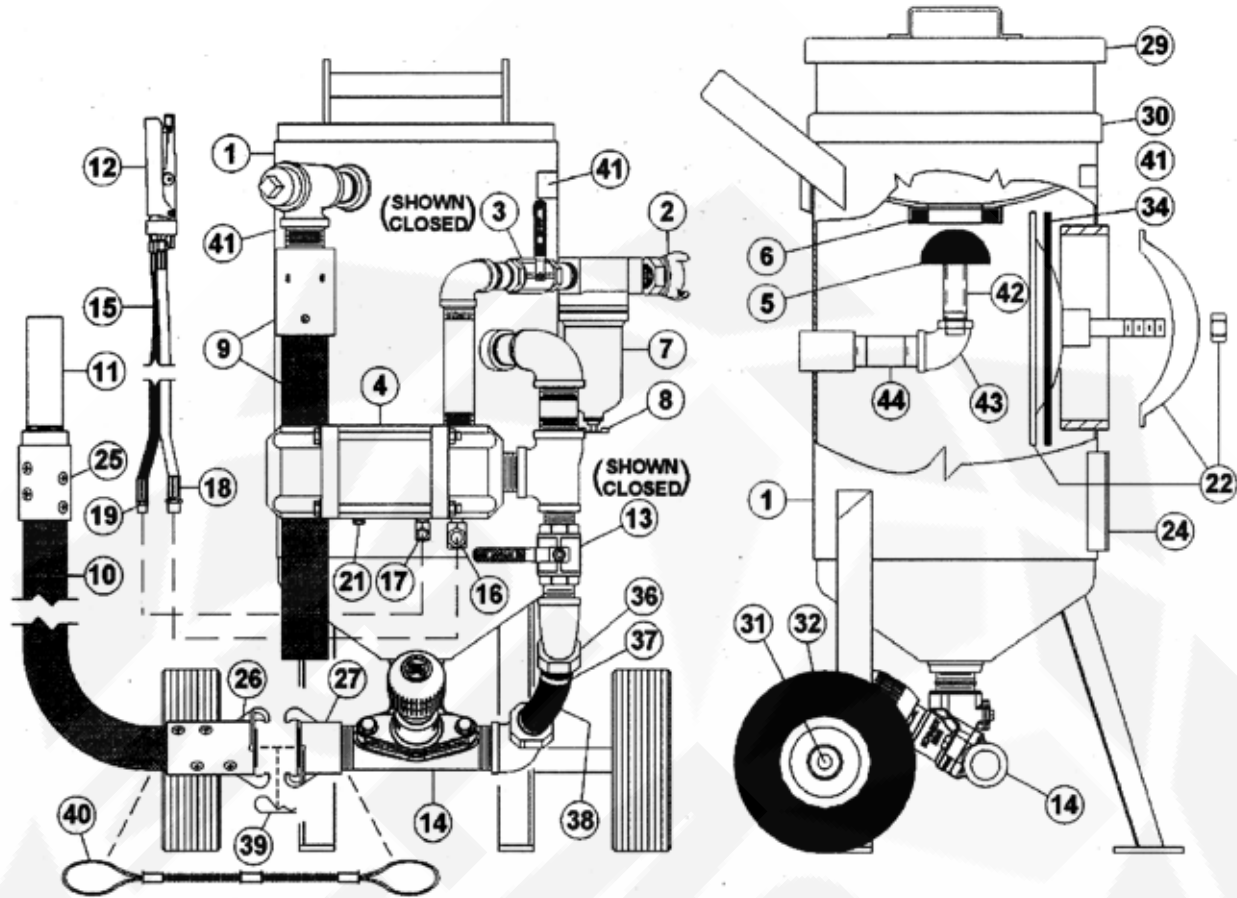
+ Included In Replacement Parts Kit For Sound Element replacements
 § Included In Replacement Parts Kit For Seal Gasket replacements
 * Included In Replacement Parts Kit For Complete replacements



Schmidt Valves

Schmidt Air Blast Equipment & Parts

1.5 Cu.Ft. Blaster with Pneumatic Controls - Pressure Release



1" MV3 Valve Piping

ITEM	PART NUMBER	DESCRIPTION
1	1021-001-01	Pressure vessel, 1.5 cu. Ft.
2	4208-106	Crowfoot, 1" 2-lug with gasket
	4209-999	Crowfoot gasket
3	2401-506	Air inlet ball valve, 1"
4	2223-000	ComboValve®
5	2100-000	Popup head, 1 bag (See Popup &
6	2100-001	Popup gasket, 1 bag Internal Piping page.)
7	2302-206-05	Air filter, 1"
8	-----	Air filter drain valve
9	4115-005	Blowdown hose assembly, 3/4" x 18"
10	4104-XXX-XX	Blast hose assembly (specify size)
11	5000-XXX	Blast nozzle (specify size)
12	2263-002	G2 Deadman valve
13	2401-506	Choke ball valve, 1"
14	2128-107	MV3, 1-1/4"
15	4100-501	Twinline hose assembly, 55 ft
	4100-701	Twinline hose assembly, 110 ft
16	4203-502-02	Swivel 90°, 1/4"
17	4203-500-00	Swivel 90°, 1/8"
18	-----	Twinline connection, 1/4"
19	-----	Twinline connection, 1/8"
21	2014-300	Breather vent, 1/8"
22	7000-001-11	Handway crab assembly, 6" x 8"

ITEM	PART NUMBER	DESCRIPTION
24	-----	Pressure vessel nameplate
25	4215-XXX	Nozzle holder (specify size)
26	4213-XXX	Blast hose coupling (specify size)
27	4214-108	Threaded coupling, 1-1/4" with gasket
	4214-999	Coupling gasket
29	5010-010	Lid, 12" (Optional)
30	5011-010	Screen, 12" (1/4" mesh) (Optional)
31	7040-003	Axle, 1 bag (as of April, '95)
	7019-519	Nylock nut, 3/4"
32	7046-002	Wheel, 1 bag
34	7000-001-18	Handway gasket 6" x 8" (SureFit™)
36	4205-106	Hose insert swival, 1" with gasket
	4205-106-99	Hose swival gasket, 1"
37	4235-006	Hose clamp double bolt, 1"
38	4102-006	Air hose, 1"
39	7119-002	Safety Pin, Air/Blast Hose Coupling
40	8710-98778	Hose whip check (safety cable)
41	7031-999-02	Warning decal kit
42	3030-005-11	Nipple TOE, 3/4" x 3" lg
43	3010-006-05	Reducing Elbow, 90° 1" x 3/4"
44	3029-006-14	Nipple TBE, 1" x 5" lg
45	-----	-----
46	-----	-----

* Old pots may have an MicroValve or MV2

3.5 - 20 Cu.Ft. Blaster with Pneumatic Controls - Pressure Release

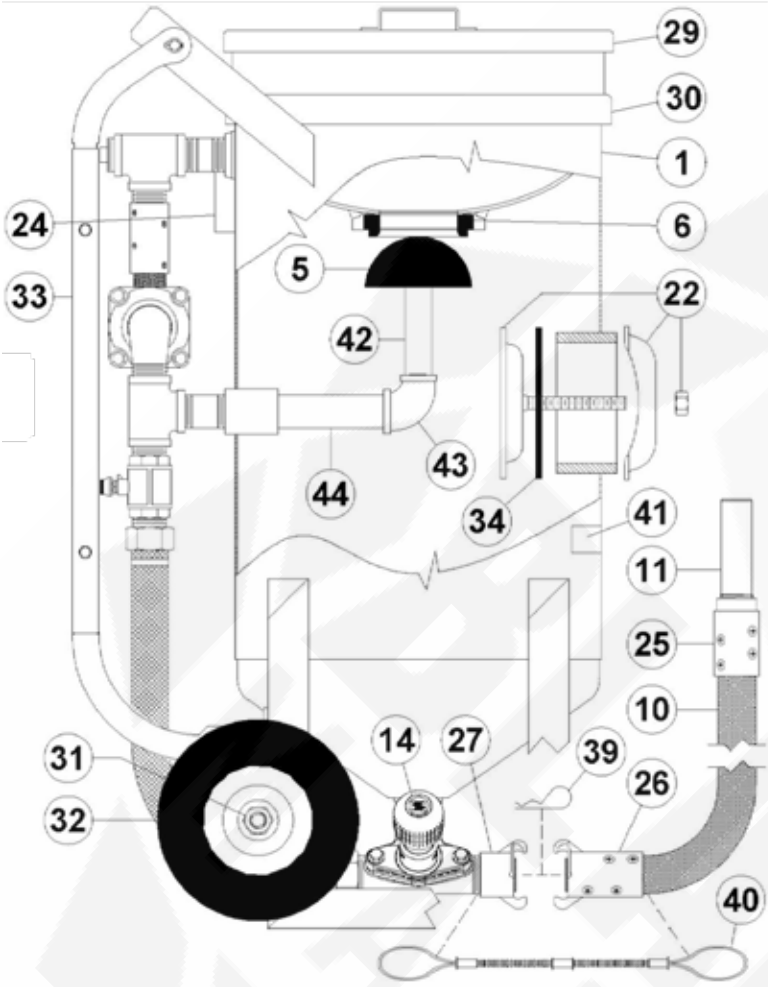
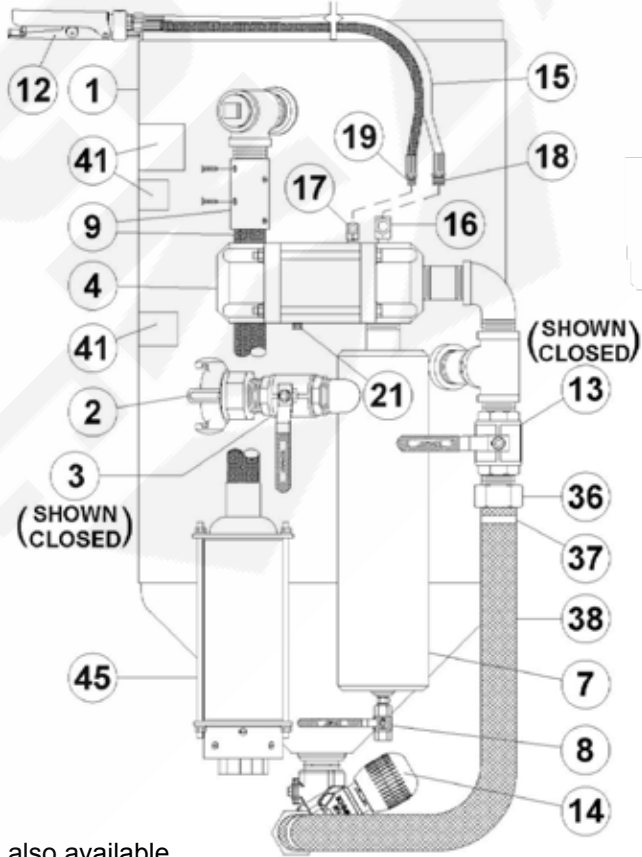


Diagram for 3.5 -20 cuft blaster pots with Schmidt pressure release metering valve and pneumatic remote controls.



#34 SureFit™ Handway Gasket
7000-001-18

Non-OEM parts are also available.

Schmidt
Blast Pots

Schmidt Air Blast Equipment & Parts

3.5 - 20 Cu.Ft. Blaster with Pneumatic Controls - Pressure Release

#	Piping	Part No.	Description	#	Blast Pot	Part No.	Description
1	All	1021-003-01	Pressure Vessel, 3.5 cu. ft.	26	All	specify size	Coupling, Blast hose
		1021-006-01	Pressure Vessel, 6.5 cu. ft.	27	All	specify size	Coupling, Threaded
		1022-010-01	Pressure Vessel, 10 cu. ft.	28		N/A	N/A
		1012-020-05	Pressure Vessel, 20 cu. ft.	29	See Size	5010-030	Lid, 18" (optional)
2	1" Piping	4208-106	Crowfoot, 1" 2-lug with gasket			5010-060	Lid, 24" (optional)
		4209-999	Crowfoot gasket			5010-200	Lid, 36" (optional)
2	1-1/4" Piping	4211-107	Crowfoot, 1-1/4" 4-lug / gasket	30	See Size	5011-030	Screen, 18" (1/4" mesh)
		4211-999	Crowfoot gasket			5011-060	Screen, 24" (1/4" mesh)
2	1-1/2" Piping	4211-108	Crowfoot, 1-1/2" 4-lug / gasket			5011-200	Screen, 36" (1/4" mesh)
		4211-999	Crowfoot gasket	31	See Size	7040-003	Axle, 3.5 cu.ft.
3	1" Piping	2401-506	Ball Valve as Air Inlet, 1"			7019-519	Nylock nut, 3/4" (3.5 cu.ft.)
		2401-507	Ball Valve as Air Inlet, 1-1/4"			7040-006	Axle, 6.5/10 cu.ft.
3	1-1/4" Piping	2401-508	Ball Valve as Air Inlet, 1-1/2"			7019-527	Nylock nut, 3/4" (6.5/10 cu.ft.)
						N/A	Not available for 20 cu.ft.
4	All	2223-000	Combo Valve	32	See Size	7046-003	Wheel, 3.5 cu.ft.
5	All	2100-010-04	Popup head (2100-010 Old Style)			7046-006	Wheel, 6.5/10 cu.ft.
6	All	2100-011-04	Popup gasket (2100-011 Old Style)			N/A	Not available for 20 cu.ft.
7	1" Piping	1200-006	Moisture Separator, 1"	33	See Size	7002-003	Load Skid, 3.5 cu.ft.
	1-1/4" Piping	1200-007	Moisture Separator, 1-1/4"			7002-006	Load Skid, 6.5 cu.ft.
	1-1/2" Piping	1200-008	Moisture Separator, 1-1/2"			7002-010	Load Skid, 10 cu.ft.
8	All	2401-502	Drain ball valve, 1/4"			N/A	Not available for 20 cu.ft.
9	3.5 & 6.5 cu.ft.	4115-005	Blowdown hose assy, 18"	34	All	7000-001-18	Handway gasket, 6"x8" (old style 7000-001-06)
	For 10 cuft	4115-005-02	Blowdown hose assy, 24"				
10	All	Specify Size	Blast hose assy	35		N/A	N/A
11	All	Specify Size	Blast nozzle	36	1" Piping	4205-106	Swivel Insert, 1" /gasket
12	All	2263-002	G2 Deadman valve		1" Piping	4205-106-99	Insert Gasket
13	1" Piping	2401-506	Ball Valve as Choke Valve, 1"		1-1/4" Piping	4205-107	Swivel Insert, 1-1/4" /gasket
	1-1/4" Piping	2401-507	Ball Valve as Choke Valve, 1-1/4"		1-1/4" Piping	4205-107-99	Insert Gasket
	1-1/2" Piping	2401-508	Ball Valve as Choke Valve, 1-1/2"		1-1/2" Piping	4205-108	Swivel Insert, 1-1/2" /gasket
14	1" & 1-1/4" Piping	21XX-107	Microvalve, See Microvalve page	1-1/2" Piping	4205-108-99	Insert Gasket	
	1-1/2" Piping	21XX-108,	Microvalve, See Microvalve page	37	1" Piping	4235-006	Hose clamp, double bolt, 1"
15	All	4100-501	Twinline hose assy, 55 ft.			4235-007	Hose clamp, double bolt, 1-1/4"
		4100-701	Twinline hose assy, 110 ft.			4235-008	Hose clamp, double bolt, 1-1/2"
16	All	4203-502-02	Swivel 90°, 1/4"MNPT x 1/4"F	38	1" Piping	4102-006	Air Hose, 1"
17	All	4203-502-00	Swivel 90°, 1/8"MNPT x 1/8"F			4102-007	Air Hose, 1-1/4"
18	All	4204-301-00	Twinline connection, 1/4"			4102-008	Air Hose, 1-1/2"
19	All	4204-301-02	Twinline connection, 1/8"	39	All	7119-002	Safety Pin, hose coupling
20		N/A	N/A	40	All	8710-98778	Hose Whip Check, (safety cable)
21	All	2014-300	Breather vent, 1/8"	41	All	7031-999-02	Warning decal kit
22	All	7000-001-11	Handway assy, 6"x8" with gasket	42	All	3030-006-XX	Pop-Up Nipple
23		N/A	N/A	43	All	3010-00X-XX	Reducing Elbow
24	All		Pressure vessel nameplate	44	All	3029-00X-XX	Nipple TBE
25		specify size	Nozzle holder specify material	45	All	2011-501	VBS II

Schmidt
Blast Pots

3.5 - 20 Cu.Ft. Blaster with Electric Controls - Pressure Release

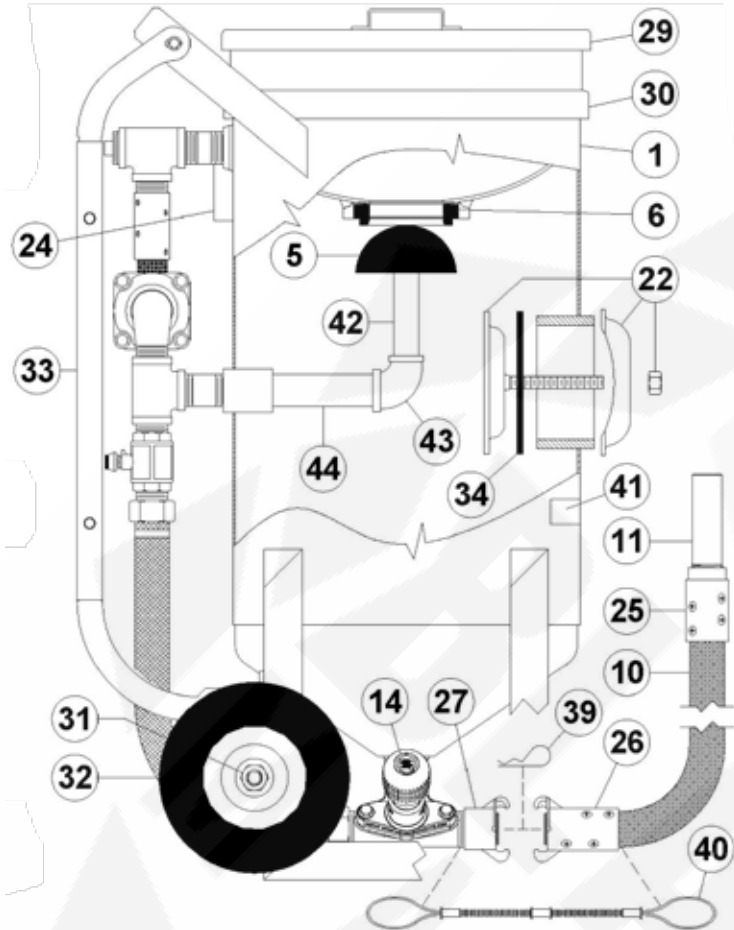
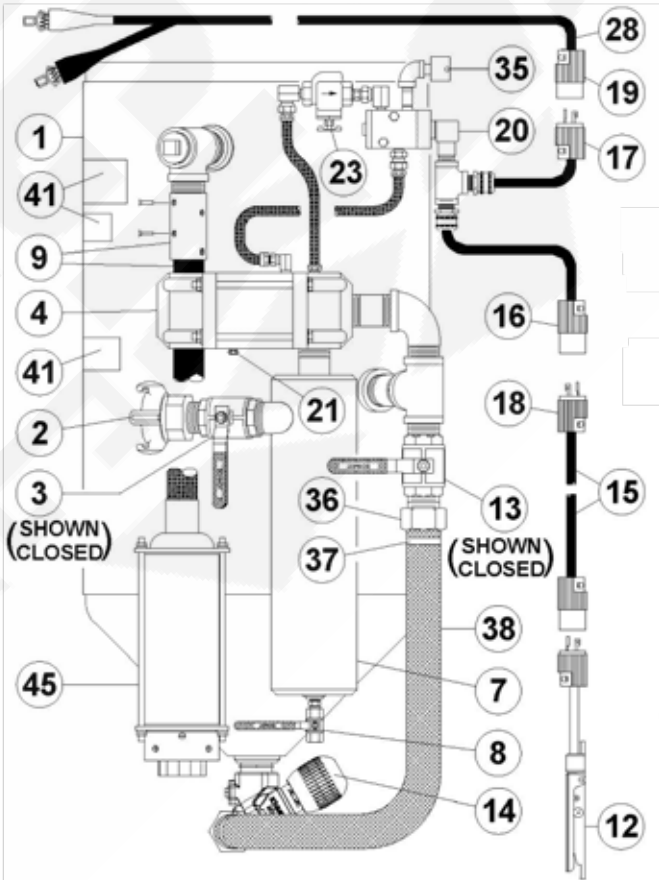


Diagram for 3.5 -20 cuft blast pots with Schmidt pressure release metering valve and electric remote controls.



#34 SureFit™ Handway Gasket
7000-001-18



Schmidt
Blast Pots

Non-OEM parts are also available.

Schmidt Air Blast Equipment & Parts

3.5 - 20 Cu.Ft. Blaster with Electric Controls - Pressure Release

#	Piping	Part No.	Description	#	Blast Pot	Part No.	Description													
1	All	1021-003-01	Pressure Vessel, 3.5 cu. ft.	26	All	specify size	Coupling, Blast hose													
		1021-006-01	Pressure Vessel, 6.5 cu. ft.	27	All	specify size	Coupling, Threaded													
		1022-010-01	Pressure Vessel, 10 cu. ft.	28	All	7072-012	N/A													
		1012-020-05	Pressure Vessel, 20 cu. ft.	29	See Size	5010-030	Lid, 18" (optional)													
2	1" Piping	4208-106	Crowfoot, 1" 2-lug with gasket			5010-060	Lid, 24" (optional)													
		4209-999	Crowfoot gasket			5010-200	Lid, 36" (optional)													
	1-1/4" Piping	4211-107	Crowfoot, 1-1/4" 4-lug / gasket	30	See Size	5011-030	Screen, 18" (1/4" mesh)													
		4211-999	Crowfoot gasket			5011-060	Screen, 24" (1/4" mesh)													
	1-1/2" Piping	4211-108	Crowfoot, 1-1/2" 4-lug / gasket			5011-200	Screen, 36" (1/4" mesh)													
		4211-999	Crowfoot gasket	31	See Size	7040-003	Axle, 3.5 cu.ft.													
3	1" Piping	2401-506	Ball Valve as Air Inlet, 1"			7019-519	Nylock nut, 3/4" (3.5 cu.ft.)													
		2401-507	Ball Valve as Air Inlet, 1-1/4"			7040-006	Axle, 6.5/10 cu.ft.													
	1-1/4" Piping	2401-508	Ball Valve as Air Inlet, 1-1/2"			7040-006-02	Axle, 10 cu.ft. secondary													
						7019-527	Nylock nut, 3/4" (6.5/10 cu.ft.)													
4	All	2223-000	Combo Valve			N/A	Not available for 20 cu.ft.													
5	All	2100-010-04	Popup head, (2100-010 Old Style)	32	See Size	7046-003	Wheel, 3.5 cu.ft.													
6	All	2100-011-04	Popup gasket, (2100-011 Old Style)			7046-006	Wheel, 6.5/10 cu.ft.													
7	1" Piping	1200-006	Moisture Separator, 1"			N/A	Not available for 20 cu.ft.													
		1-1/4" Piping	1200-007	Moisture Separator, 1-1/4"	33	See Size	7002-000	Load Skid, 3.5 & 6.5 cu.ft.												
		1-1/2" Piping	1200-008	Moisture Separator, 1-1/2"			N/A	Not available for 10 cu.ft.												
N/A	N/A	Not available for 20 cu.ft.																		
8	All	2401-502	Drain ball valve, 1/4"	34	All	7000-001-18	Handway gasket, 6"x8", (old style 7000-001-06)													
							9	3.5 & 6.5 cu.ft.	4115-005	Blowdown hose assy, 18"										
For 10 cuft	4115-005-02	Blowdown hose assy, 24"	35	All	2013-402	Dust Eliminator, 1/4"														
10	All	Specify Size				Blast hose assy	36	1" Piping	4205-106	Swivel Insert, 1" /gasket										
11	All	Specify Size	Blast nozzle	37	1-1/4" Piping	4205-106-99				Insert Gasket										
12	All	2263-402	Electric Deadman							1-1/4" Piping	4205-107	4205-107-99	Swivel Insert, 1-1/4" /gasket							
													13	1" Piping	2401-506	Ball Valve as Choke Valve, 1"	1-1/4" Piping	4205-108	4205-108-99	Swivel Insert, 1-1/2" /gasket
																				1-1/4" Piping
14	1" & 1-1/4" Piping	21xx-107	Microvalve, See Microvalve page	1" Piping	4235-006	4235-007	Hose Clamp, double bolt, 1"													
							1-1/2" Piping	21xx-108	Microvalve, See Microvalve page	1-1/4" Piping	4235-007	4235-008	Hose Clamp, double bolt, 1-1/4"							
15	All	7074-055	Electric cord, 55 ft	1-1/2" Piping	4235-008	4235-008	Hose Clamp, double bolt, 1-1/2"													
							7074-110	Electric cord, 110 ft.	38	1" Piping	4102-006	Air Hose, 1"								
16	All	7109-300	Female connector, 3-prong twist lock	1-1/4" Piping	4102-007	4102-008	Air Hose, 1-1/4"													
							7109-301	Male plug, 3-prong twist-lock					1-1/2" Piping	4102-008	Air Hose, 1-1/2"					
17	All	7109-301	Male plug, 3-prong twist-lock	39	All	7119-002	Safety Pin, hose coupling													
18	All	7109-301	Male plug, 3-prong twist-lock				40	All	8710-98778	Hose Whip Check, (safety cable)										
19	All	7109-300	Female connector, 3-prong twist lock	41	All	7031-999-02				Warning decal kit										
20	All	2229-100	Control valve, 12 Vdc				42	All	3030-006-xx	Pop-Up Nipple										
		7112-000	Power tee, 12 Vdc with coil & connectors	43	All	3010-00x-xx				Reducing Elbow										
21	All	2014-300	Breather vent, 1/8"				44	All	3029-00x-xx	Nipple TBE										
22	All	7000-001-11	Handway assy, 6"x8" with gasket	45	All	2011-501				VBS II										
23		2301-902-90	Bronze strainer, 1/4" 90 micron																	
24	All		Pressure vessel nameplate																	
25		specify size	Nozzle holder specify material																	

3.5 - 20 Cu.Ft. Blaster with Pneumatic Controls - Pressure Hold

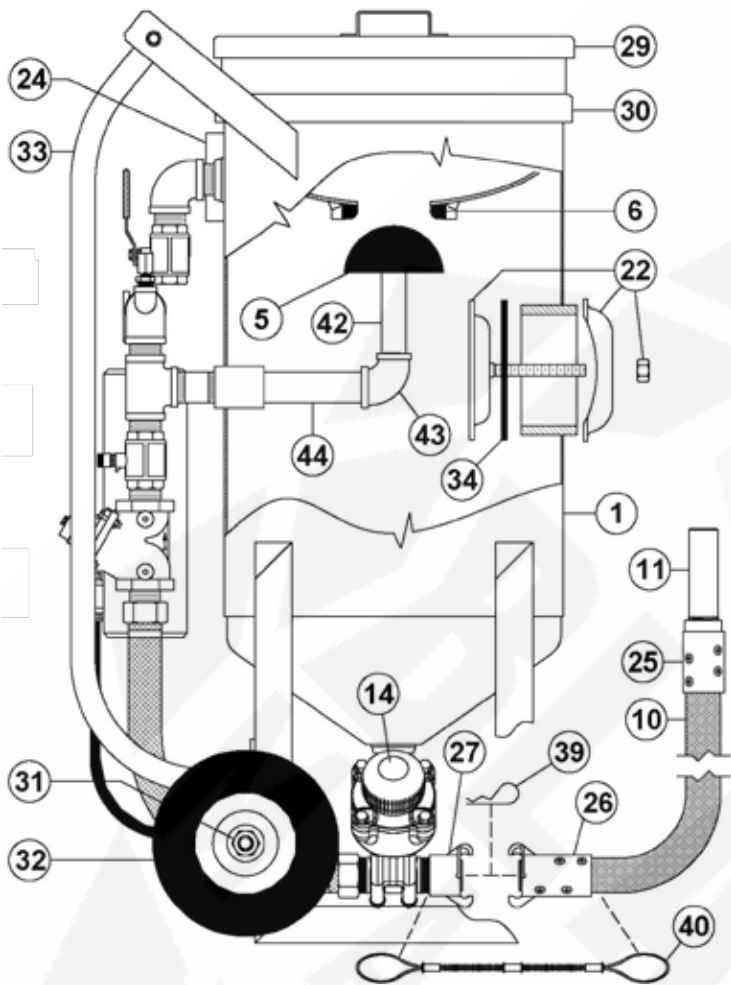
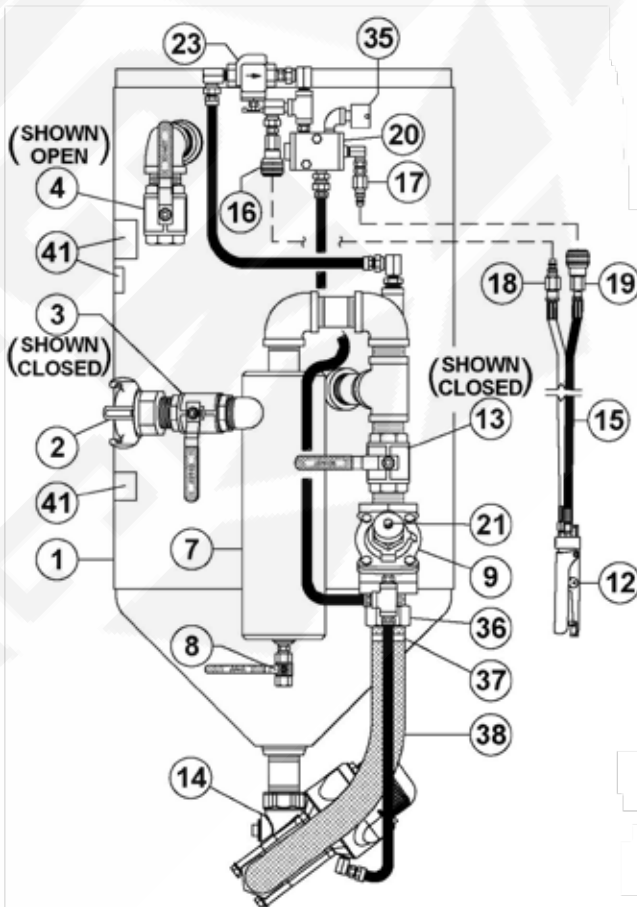


Diagram for 3.5 -20 cuft blaster pots with Schmidt pressure hold metering valve and pneumatic remote controls.



#34 SureFit™ Handway Gasket
7000-001-18



Schmidt
Blaster Pots

Non-OEM parts are also available.

Schmidt Air Blast Equipment & Parts

3.5 - 20 Cu.Ft. Blaster with Pneumatic Controls - Pressure Hold

#	Piping	Part No.	Description	#	Blast Pot	Part No.	Description
1	All	1021-003-01C	Pressure Vessel, 3.5 cu. ft.	26	All	specify size	Coupling, Blast hose
		1021-006-01C	Pressure Vessel, 6.5 cu. ft.	27	All	specify size	Coupling, Threaded
		1021-010-01C	Pressure Vessel, 10 cu. ft.	28		N/A	N/A
		1012-020C	Pressure Vessel, 20 cu. ft.	29	See Size	5010-030	Lid, 18" (optional)
2	1" Piping	4208-106	Crowfoot, 1" 2-lug with gasket			5010-060	Lid, 24" (optional)
	1-1/4" Piping	4211-107	Crowfoot, 1-1/4" 4-lug / gasket			5010-200	Lid, 36" (optional)
	1-1/2" Piping	4211-108	Crowfoot, 1-1/2" 4-lug / gasket	30	See Size	5011-030	Screen, 18" (1/4" mesh)
All	4211-999	Crowfoot gasket	5011-060			Screen, 24" (1/4" mesh)	
3	1" Piping	2401-506	Ball Valve as Air Inlet, 1"			5011-200	Screen, 36" (1/4" mesh)
	1-1/4" Piping	2401-507	Ball Valve as Air Inlet, 1-1/4"	31	See Size	7040-003	Axle, 3.5 cu.ft.
	1-1/2" Piping	2401-508	Ball Valve as Air Inlet, 1-1/2"			7019-519	Nylock nut, 3/4" (3.5 cu.ft.)
4	All	2401-506	Blowdown Ball Valve, 1"			7040-006	Axle, 6.5/10 cu.ft.
5	All	2100-010	Popup head			7040-006-02	Axle, 10cf secondary
6	All	2100-011	Popup gasket			7019-527	Nylock nut, 1" (6.5/10 cu.ft.)
7	1" Piping	1200-006	Moisture Separator, 1"			N/A	Not available for 20 cu.ft.
	1-1/4" Piping	1200-007	Moisture Separator, 1-1/4"			32	See Size
	1-1/2" Piping	1200-008	Moisture Separator, 1-1/2"	7046-006	Wheel, 6.5/10 cu.ft.		
8	All	2401-502	Drain ball valve, 1/4"	N/A	Not available for 20 cu.ft.		
9	1" Piping	2123-106	Automatic Air Valve, 1"	33	See Size	7002-000	Universal Load Skid, 3.5 & 6.5 cu.ft.
	1-1/4" Piping	2123-107	Automatic Air Valve, 1-1/4"			N/A	Not available for 10 & 20 cu.ft.
	1-1/2" Piping	2123-108	Automatic Air Valve, 1-1/2"	34	All	7000-001-18	Handway gasket, 6"x8" (SureFit)
10	All	Specify Size	Blast hose assy	35	All	2013-402	Dust Eliminator, 1/4"
11	All	Specify Size	Blast nozzle	36	1" Piping	4205-106	Swivel Insert, 1" /gasket
12	All	2263-002	G2 Deadman Valve, Pneumatic			4205-106-99	Insert Gasket
13	1" Piping	2401-506	Ball Valve as Choke Valve, 1"			1-1/4" Piping	4205-107
	1-1/4" Piping	2401-507	Ball Valve as Choke Valve, 1-1/4"	4205-107-99	Insert Gasket		
	1-1/2" Piping	2401-508	Ball Valve as Choke Valve, 1-1/2"	1-1/2" Piping	4205-108		Swivel Insert, 1-1/2" /gasket
14	1" Piping	21xx-x06	Thompson Valve, 1", See Thompson Valve page		4205-108-99	Insert Gasket	
	1-1/4" Piping	21xx-x07	Thompson Valve, 1-1/4", See Thompson Valve page	37	1" Piping	4235-006	Hose clamp, double bolt, 1"
	1-1/2" Piping	21xx-x08	Thompson Valve, 1-1/2", See Thompson Valve page			4235-007	Hose clamp, double bolt, 1-1/4"
15	All	4100-501	Twinline hose assy, 55 ft.			4235-008	Hose clamp, double bolt, 1-1/2"
		4100-701	Twinline hose assy, 110 ft.	38	1" Piping	4102-006	Air Hose, 1"
16	All	4224-301-02	Female Quick Connect, 1/4"			4102-007	Air Hose, 1-1/4"
17 & 18	All	4224-300-02	Male Quick Connect, 1/4"			4102-008	Air Hose, 1-1/2"
	19	All	4224-301-02	Female Quick Connect, 1/4"	39	All	7119-002
20	All	2229-000	Pneumatic Control Valve	40	All	8710-98778	Hose Whip Check, (safety cable)
21	All	2014-300	Breather vent, 1/8"	41	All	7031-999-02	Warning decal kit
22	All	7000-001-11	Handway assy, 6"x8" with gasket	42	All	3030-006-xx	Pop-Up Nipple
23	All	2301-902-90	Bronze Strainer, 1/4" 90 micron	43	All	3010-00x-xx	Reducing Elbow
24	All		Pressure vessel nameplate	44	All	3029-00x-xx	Nipple TBE
25	All	specify size	Nozzle holder specify material				

Schmidt
Blast Pots

3.5 - 20 Cu.Ft. Blaster with Electric Controls - Pressure Hold

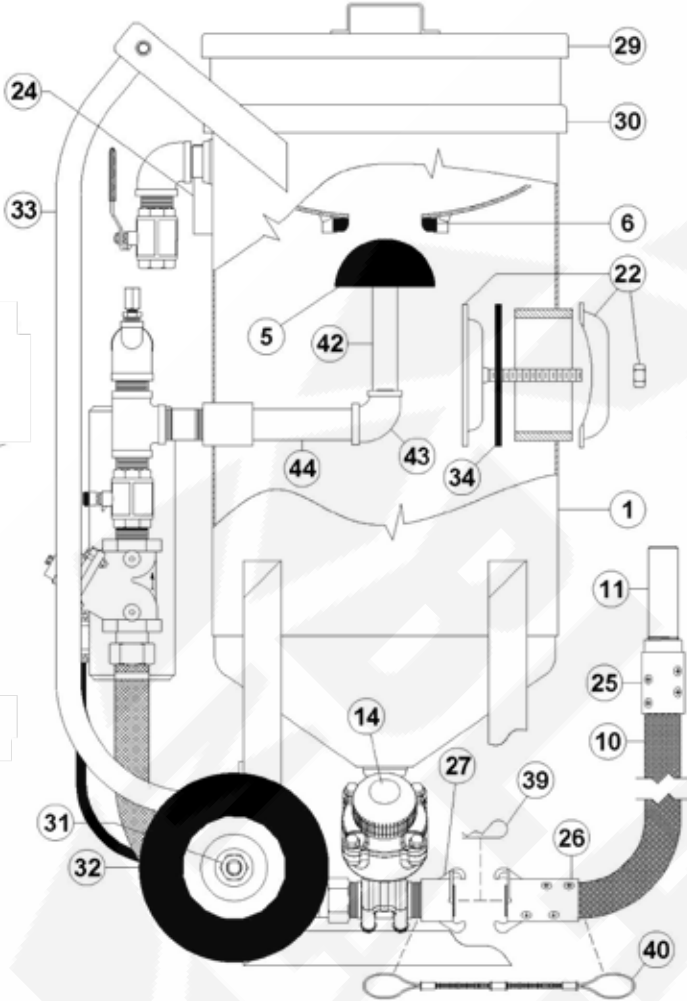
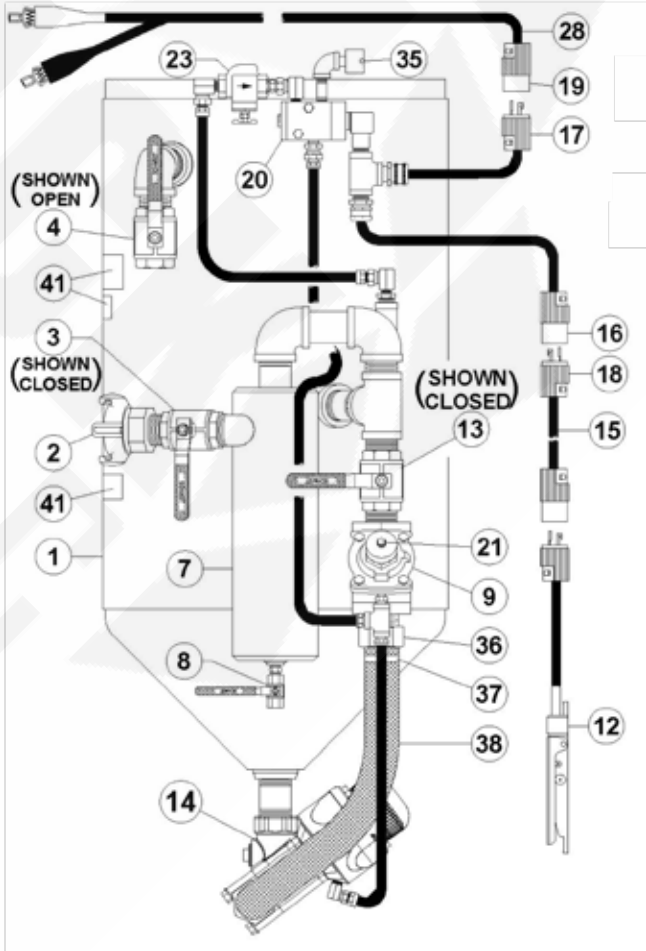


Diagram for 3.5 -20 cuft blast pots with Schmidt pressure hold metering valve and electric remote controls.



#34 SureFit™ Handway Gasket
7000-001-18



Schmidt
Blast Pots

Non-OEM parts are also available.

Schmidt Air Blast Equipment & Parts

3.5 - 20 Cu.Ft. Blaster with Electric Controls - Pressure Hold

#	Piping	Part No.	Description	#	Blast Pot	Part No.	Description		
1	All	1021-003-01C	Pressure Vessel, 3.5 cu. ft.	25	All	specify size	Nozzle holder specify material		
		1021-006-01C	Pressure Vessel, 6.5 cu. ft.	26	All	specify size	Coupling, Blast hose		
		1021-010-01C	Pressure Vessel, 10 cu. ft.	27	All	specify size	Coupling, Threaded		
		1012-020C	Pressure Vessel, 20 cu. ft.	28	All	7027-012	Power Cord, 25 ft w/alligator clips		
2	1" Piping	4208-106	Crowfoot, 1" 2-lug with gasket	29	See Size	5010-030	Lid, 18" (optional)		
	1-1/4" Piping	4211-107	Crowfoot, 1-1/4" 4-lug / gasket			5010-060	Lid, 24" (optional)		
	1-1/2" Piping	4211-108	Crowfoot, 1-1/2" 4-lug / gasket			5010-200	Lid, 36" (optional)		
	All	4211-999	Crowfoot gasket			5011-030	Screen, 18" (1/4" mesh)		
3	1" Piping	2401-506	Ball Valve as Air Inlet, 1"	30	See Size	5011-060	Screen, 24" (1/4" mesh)		
	1-1/4" Piping	2401-507	Ball Valve as Air Inlet, 1-1/4"			5011-200	Screen, 36" (1/4" mesh)		
	1-1/2" Piping	2401-508	Ball Valve as Air Inlet, 1-1/2"			31	See Size	7040-003	Axle, 3.5 cu.ft.
4	All	2401-506	Blowdown Ball Valve, 1"	7019-519	Nylock nut, 3/4" (3.5 cu.ft.)				
5	All	2100-010	Popup head	7040-006	Axle, 6.5/10 cu.ft.				
6	All	2100-011	Popup gasket	7040-006-02	Axle, 10cf secondary				
7	1" Piping	1200-006	Moisture Separator, 1"	7019-527	Nylock nut, 1" (6.5/10 cu.ft.)				
	1-1/4" Piping	1200-007	Moisture Separator, 1-1/4"	N/A	Not available for 20 cu.ft.				
	1-1/2" Piping	1200-008	Moisture Separator, 1-1/2"	32	See Size			7046-003	Wheel, 3.5 cu.ft.
8	All	2401-502	Drain ball valve, 1/4"					7046-006	Wheel, 6.5/10 cu.ft.
9	1" Piping	2123-106	Automatic Air Valve, 1"					N/A	Not available for 20 cu.ft.
	1-1/4" Piping	2123-107	Automatic Air Valve, 1-1/4"	33	See Size			7002-000	Univseral Load Skid, 3.5 & 6.5 cu.ft.
	1-1/2" Piping	2123-108	Automatic Air Valve, 1-1/2"			N/A	Not available for 10 & 20 cu.ft.		
10	All	Specify Size	Blast hose assy	34	All	7000-001-18	Handway gasket, 6"x8" (SureFit)		
11	All	Specify Size	Blast nozzle	35	All	2013-402	Dust Eliminator, 1/4"		
12	All	2263-402	G2 Deadman valve, Electric	36	1" Piping	4205-106	Swivel Insert, 1" /gasket		
	13	1" Piping	2401-506			Ball Valve as Choke Valve, 1"	4205-106-99	Insert Gasket	
		1-1/4" Piping	2401-507			Ball Valve as Choke Valve, 1-1/4"	4205-107	Swivel Insert, 1-1/4" /gasket	
		1-1/2" Piping	2401-508			Ball Valve as Choke Valve, 1-1/2"	4205-107-99	Insert Gasket	
14	1" Piping	21xx-x06	Thompson Valve, 1", See TV page	37	1-1/2" Piping	4205-108	Swivel Insert, 1-1/2" /gasket		
	1-1/4" Piping	21xx-x07	Thompson Valve, 1-1/4", See TV page			4205-108-99	Insert Gasket		
	1-1/2" Piping	21xx-x08	Thompson Valve, 1-1/2", See TV page			4235-006	Hose clamp, double bolt, 1"		
15	All	7074-055	Extension Cord, 55 ft	37	1-1/4" Piping	4235-007	Hose clamp, double bolt, 1-1/4"		
		7074-110	Extension Cord, 110 ft			4235-008	Hose clamp, double bolt, 1-1/2"		
16	All	7109-300	Female Connector, 3-prong twist lock	38	1" Piping	4102-006	Air Hose, 1"		
17 & 18	All	7109-301	Male Plug, 3-prong twist lock			4102-007	Air Hose, 1-1/4"		
19	All	7109-300	Female Connector, 3-prong twist lock			4102-008	Air Hose, 1-1/2"		
20	All	2229-000	Pneumatic Control Valve	39	All	7119-002	Safety Pin, hose coupling		
	All	7112-000	Power Tee, 12Vdc w/coil & connector	40	All	8710-98778	Hose Whip Check, (safety cable)		
21	All	2014-300	Breather vent, 1/8"						
22	All	7000-001-11	Handway assy, 6"x8" with gasket	41	All	7031-999-02	Warning decal kit		
23	All	2301-902-90	Bronze Strainer, 1/4" 90 micron	42	All	3030-006-xx	Pop-Up Nipple		
24	All		Pressure vessel nameplate	43	All	3010-00x-xx	Reducing Elbow		
				44	All	3029-00x-xx	Nipple TBE		

Schmidt
Blast Pots

Amphiblast Wet / Dry System



AmphiBlast Single Outlet - 4.5 cu. Ft.	
8201-040-11	Pneumatic Mount
	80 Gallon Water Tank
	(58" x 38" x 56")
	Weight: 850 lbs.
8201-041-11	Electric Mount
	80 Gallon Water Tank
	(58" x 38" x 56")
	Weight: 850 lbs.

AmphiBlast Dual Outlet - 6.5 cu. Ft.	
8202-060-12	Pneumatic Mount
	165 Gallon Water Tank
	(87" x 38" x 65")
	Weight: 1,350 lbs.
8202-061-12	Electric Mount
	165 Gallon Water Tank
	(87" x 38" x 65")
	Weight: 1,350 lbs.

Schmidt
Amphiblast Wet/Dry